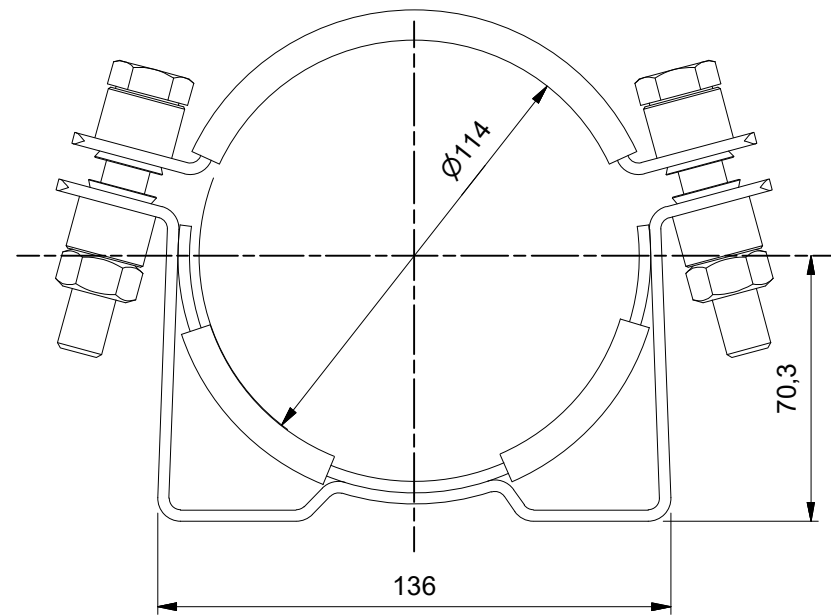
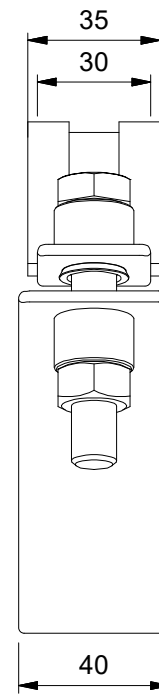


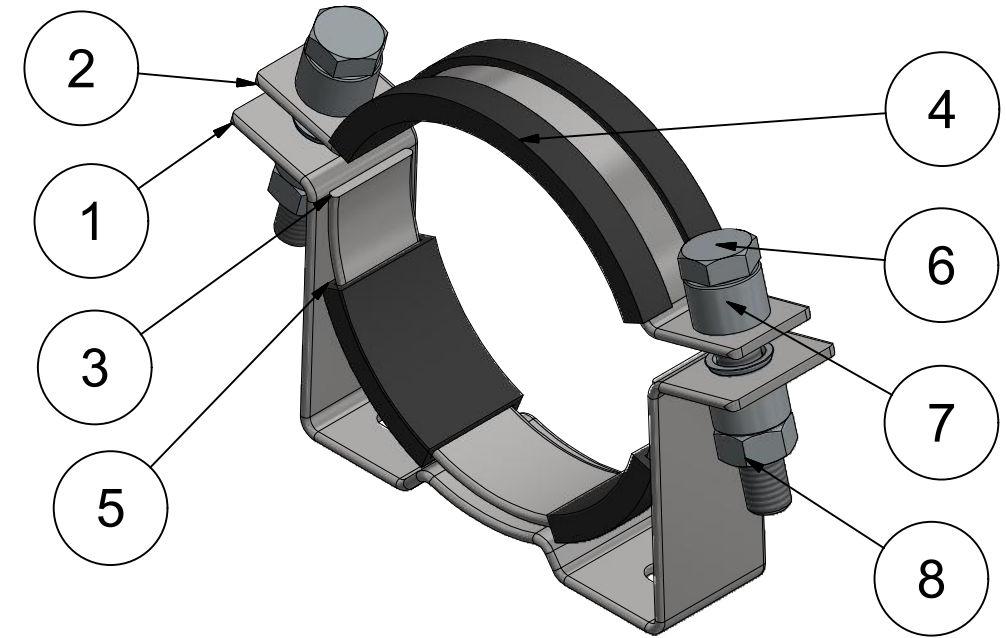
Front view (1 : 2)



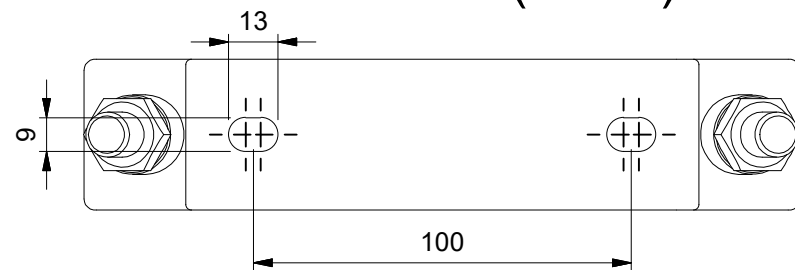
Side view (1 : 2)




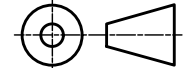
Iso view (1 : 2)



Bottom view (1 : 2)



Item	Qty	Description	Material
1	1	Console part	Zinc plated, Steel, Mild
2	1	Upper clamp	Zinc plated, Steel, Mild
3	1	Lower clamp	Zinc plated, Steel, Mild
4	1	Upper rubber	EPDM Rubber Shore hardness 65°±5°
5	2	Lower rubber	EPDM Rubber Shore hardness 65°±5°
6	2	Screw DIN 933 M12*70 full threaded	Zinc plated, ST 8.8
7	4	Rivet Ø21	Zinc plated, Steel, Mild
8	2	NUT M12, DIN 934	Zinc plated, ST 8.8

		© 2015 MPC INDUSTRIES BV, developed and designed by MPC INDUSTRIES BV	
		General Tolerances: according to: DIN 2768-vL	
<p>NOTICE TO PERSONS RECEIVING THIS DRAWING AND/OR TECHNICAL INFORMATION:</p> <p>MPC Industries BV claims proprietary rights to the material disclosed hereon. This drawing and/or technical information is issued in confidence for engineering information only and may not be reproduced or used to manufacture anything shown or referred to hereon without direct written permission from MPC Industries BV to the user. This drawing and/or technical information is the property of MPC Industries BV and is loaned for mutual assistance to be returned when its purpose has been served.</p> <p>THIS DRAWING AND/OR TECHNICAL INFORMATION IS THE PROPERTY OF MPC INDUSTRIES BV</p> <p>DO NOT SCALE FROM DRAWING.</p>		SURFACE TREATMENT AND OR PROTECTION:	
		Material: _____	
Doc no.: A2000114E.dwg		Part number: A2000114E	
Third angle projection: 		Description: MPC Industries, Accumulator clamp 114 mm, W1	
Drawn by: Gy.Kardos	Creation date: 05/07/2016	Revision:	
Checked by:	Checked date:	Format: A3	
Scale 1:2	Units: mm		
Status: WorkInProgress			