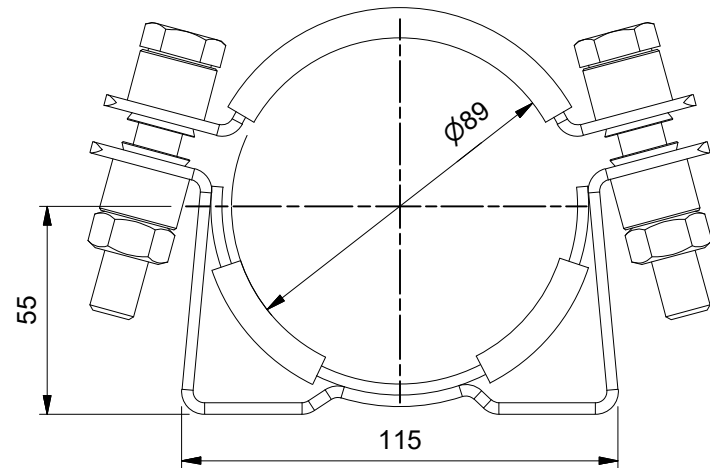
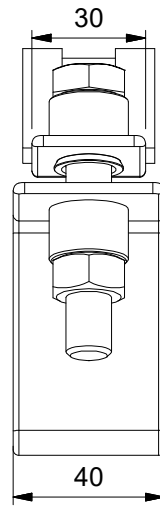


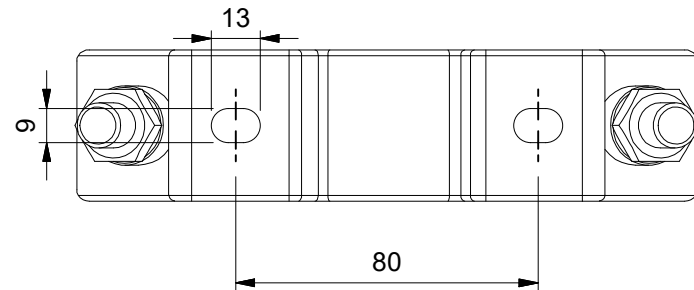
Front view (1 : 2)



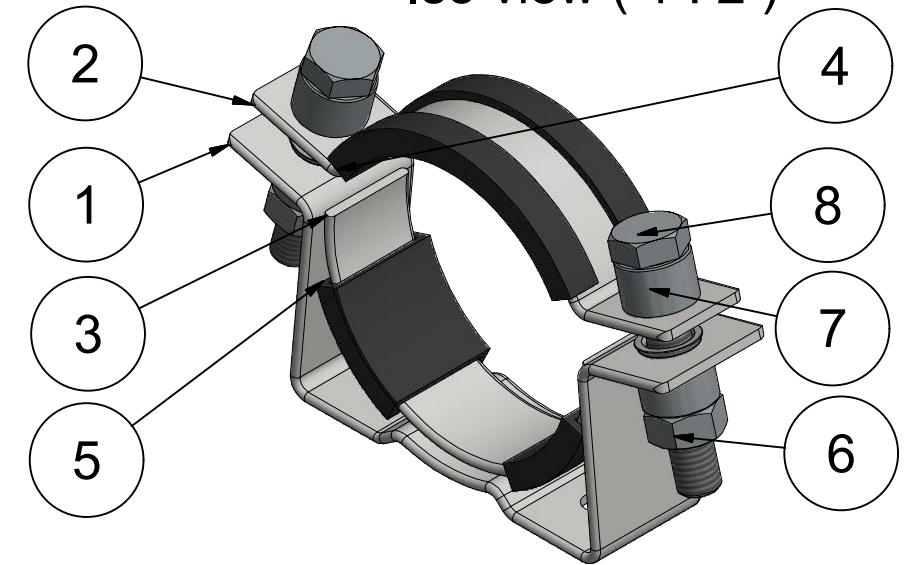
Side view (1 : 2)



Bottom view (1 : 2)



Iso view (1 : 2)



Item	Qty	Description	Material
1	1	Console	Zinc plated, Steel, Mild
2	1	Upper clamp part	Zinc plated, Steel, Mild
3	1	Lower clamp part	Zinc plated, Steel, Mild
4	1	Upper rubber part	EPDM Rubber Shore hardness 65°±5°
5	2	Lower rubber part	EPDM Rubber Shore hardness 65°±5°
6	2	NUT M12, DIN 934	Zinc plated, ST 8.8
7	4	Rivet Ø21	Zinc plated, Steel, Mild
8	2	Screw DIN 933 M12*70 full threaded	Zinc plated, ST 8.8



© 2015 MPC INDUSTRIES BV, developed and designed by MPC INDUSTRIES BV

General Tolerances: according to: DIN 2768-vL	
SURFACE TREATMENT AND/OR PROTECTION:	

NOTICE TO PERSONS RECEIVING THIS DRAWING AND/OR TECHNICAL INFORMATION:
 MPC Industries BV claims proprietary rights to the material disclosed herein. This drawing and/or technical information is issued in confidence for engineering information only and may not be reproduced or used to manufacture anything shown or referred to hereon without direct written permission from MPC Industries BV to the user. This drawing and/or technical information is the property of MPC Industries BV and is loaned for mutual assistance to be returned when its purpose has been served.
 THIS DRAWING AND/OR TECHNICAL INFORMATION IS THE PROPERTY OF MPC INDUSTRIES BV.
 DO NOT SCALE FROM DRAWING.

Material:	Mass: 0.820 kg
Doc no.: A200089E.dwg	
Third angle projection:	Part number: A200089E

Drawn by: Gy.Kardos	Creation date: 05/07/2016
Checked by:	Checked date:
Scale 1:2	Units: mm
Status: WorkInProgress	

Description: MPC Industries, Accumulator clamp, 89mm, W1	Revision:
	Format: A3