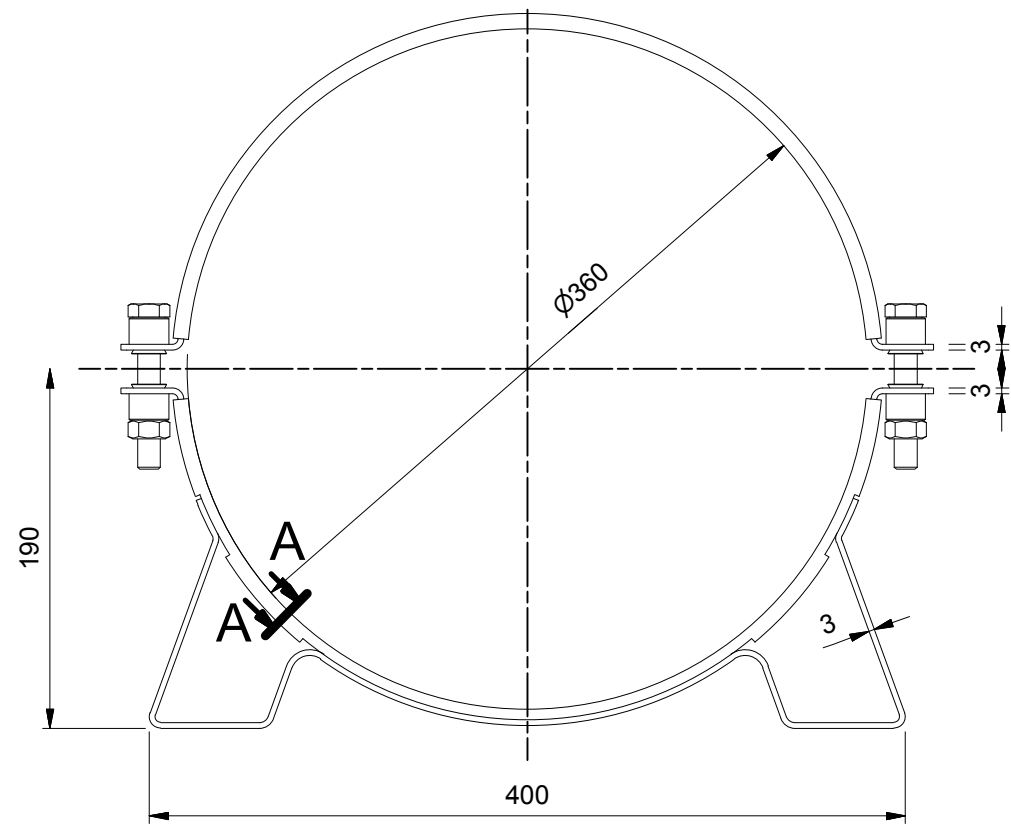
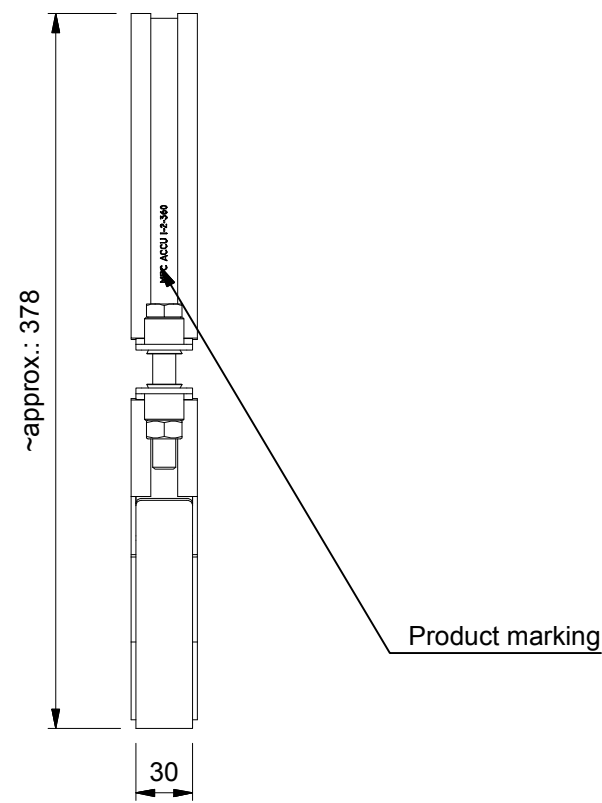


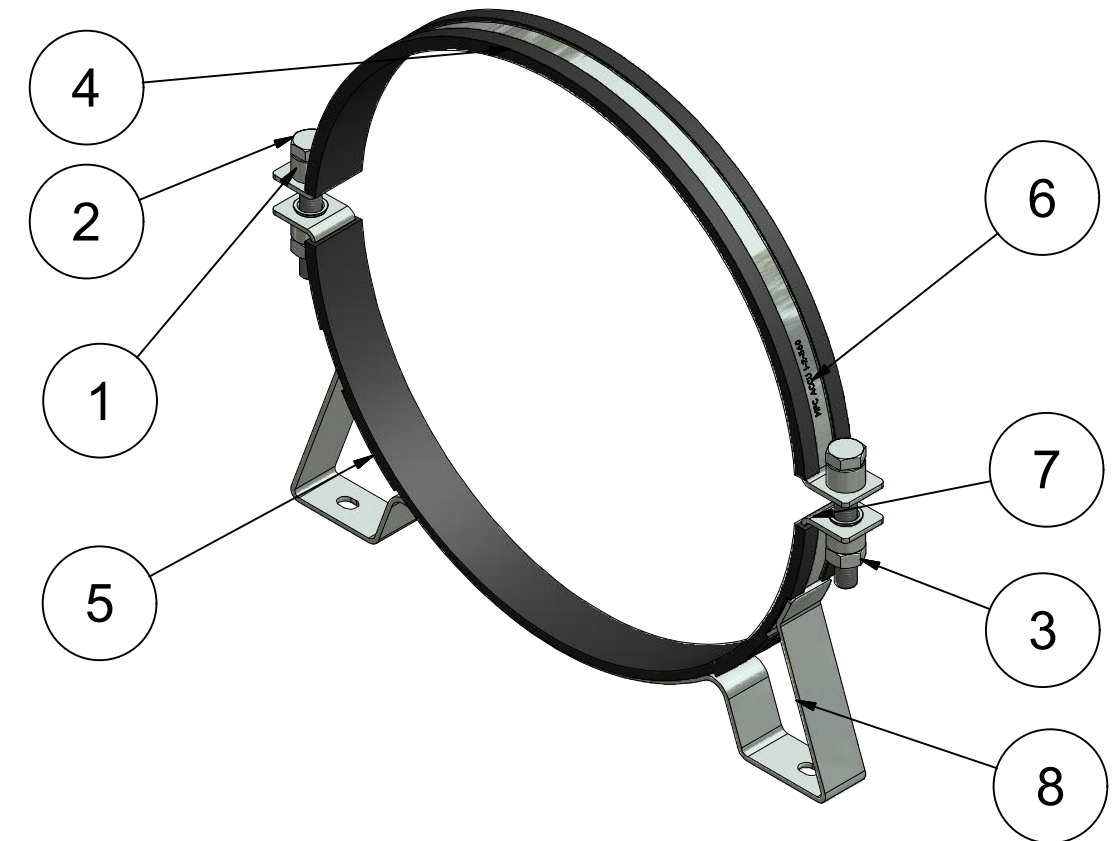
Front view (1 : 4)



Side view (1 : 4)

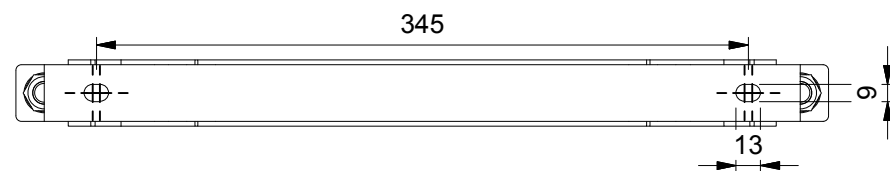


Parts identification (1 : 4)

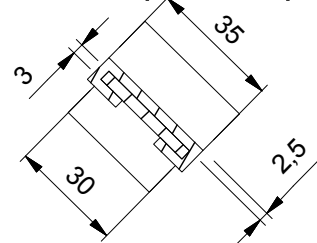


Item	Qty	Description	Material
1	4	Rivet Ø21	Zinc plated, Steel Mild
2	2	Screw DIN 933 M12*80 full threaded	Zinc plated, ST 8.8
3	2	NUT M12, DIN 934	Zinc plated, ST 8.8
4	1	Upper rubber part	EPDM Rubber Shore hardness 65°±5°
5	1	Lower rubber part	EPDM Rubber Shore hardness 65°±5°
6	1	Upper clamp part	Zinc plated Steel, Mild
7	1	Lower clamp part	Zinc plated Steel, Mild
8	1	Console part	Zinc plated Steel, Mild

Bottom view (1 : 4)



A-A (1 : 2)



Product mark:
MPC ACCU 1-2-360

Revision history			
Rev.	Date	Description	AUTHOR
-	22-9-2009	Drawing created	Martin
1	6-1-2014	Drawing renewed	gyula

Material:		Dimensions: mm	
Doc no.: ACCU12360.dwg			
Third angle projection:		Part number:	
		ACCU12360	
Drawn by: gyula	Creation date: 26-1-2012	Description:	
Checked by:	Checked date:	MPC Industries, Accumulator clamp type 2 Ø350-Ø360mm, W1	
Scale: 1:4	Units: mm	Revision: 1	
Status: Released		Format: A3	
MPC Industries B. V. Badweg 38 8401 BL Gorredijk Postbus 225 8400 AE Gorredijk. Tel.: . 0513 465477 Fax.: 0513 465736			

NOTICE TO PERSONS RECEIVING THIS DRAWING AND/OR TECHNICAL INFORMATION:
MPC Industries BV claims proprietary rights to the material disclosed hereon. This drawing and/or technical information is issued in confidence for engineering information only and may not be reproduced or used to manufacture anything shown or referred to hereon without direct written permission from MPC Industries BV to the user. This drawing and/or technical information is the property of MPC Industries BV and is loaned for mutual assistance to be returned when its purpose has been served.
THIS DRAWING AND/OR TECHNICAL INFORMATION IS THE PROPERTY OF MPC INDUSTRIES BV