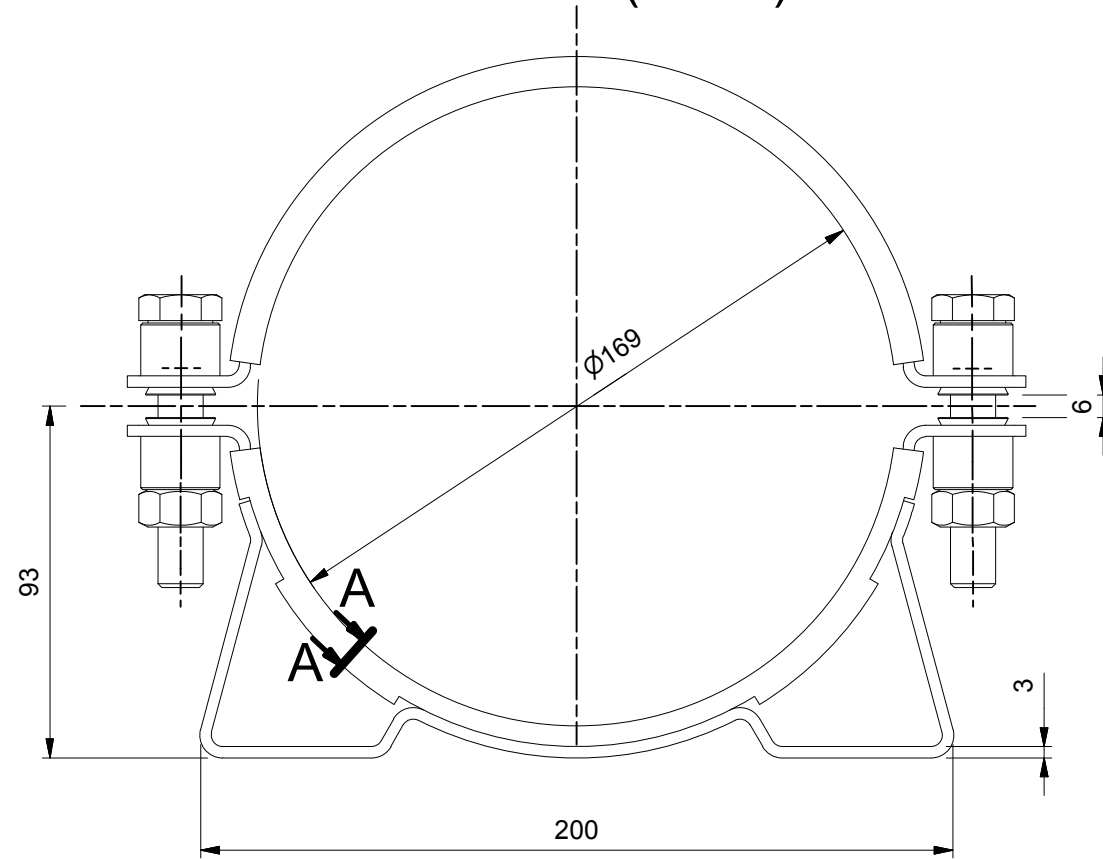
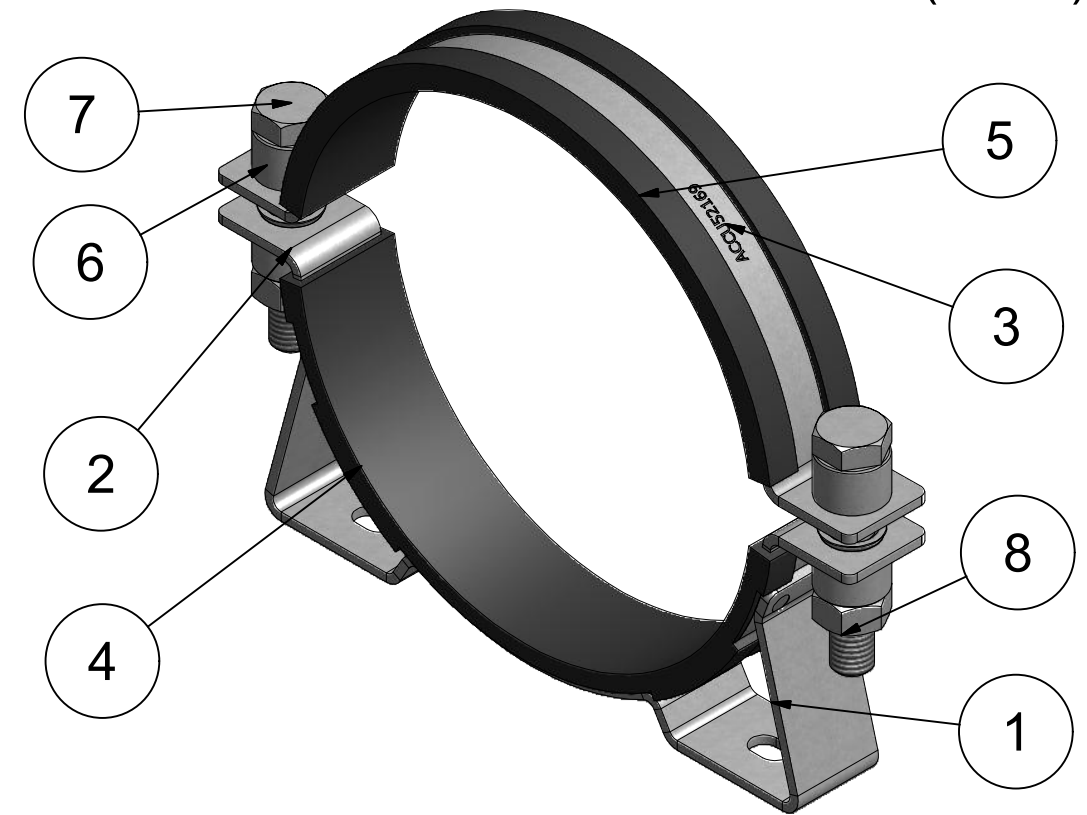
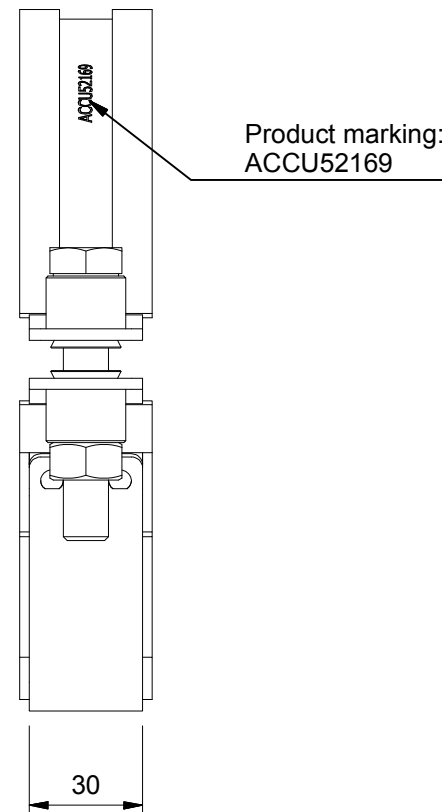


Parts identification ( 1 : 2 )

Front view ( 1 : 2 )

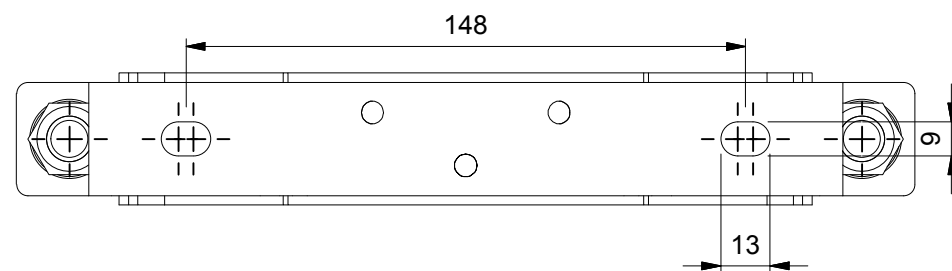


Side view ( 1 : 2 )

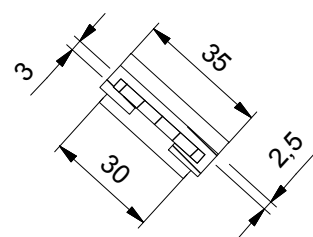


Item	Qty	Description	Material
1	1	Console part	RVS 316
2	1	Lower clamp part	RVS 316
3	1	Upper clamp part	RVS 316
4	1	Lower rubber part	EPDM Rubber Shore hardness 65°±5°
5	1	Upper rubber part	EPDM Rubber Shore hardness 65°±5°
6	4	Rivet	AISI316
7	2	Srew M12x70	RVS A4-80
8	2	Hex Nut M12	RVS A4-80

Bottom view ( 1 : 2 )



A-A ( 1 : 2 )



Product mark:  
ACCU52169

Revision history			AUTHOR
Rev.	Date	Description	
-	15-7-2010	Drawing created	Martin
1	8-1-2014	Drawing renewed	Gyula



Material:	Dimensions: -
Doc no.: ACCU52169.dwg	Part number: <b>ACCU52169</b>
Third angle projection:	

Drawn by: Martin	Creation date: 15-7-2010	Description: MPC Industries Accumulator clamp Ø169mm 2-part. W5 aisi 316	Revision: <b>1</b>
Checked by:	Checked date:		
Scale 1:2	Units: mm	Format: <b>A3</b>	
Status: Released			

Copying of this document, and giving it to others and the use of communication of the contents thereof, are forbidden without express authority. Offenders are liable to the payment of damages. All rights reserved in the event of the grant of a patent or the registration of an utility model or design.