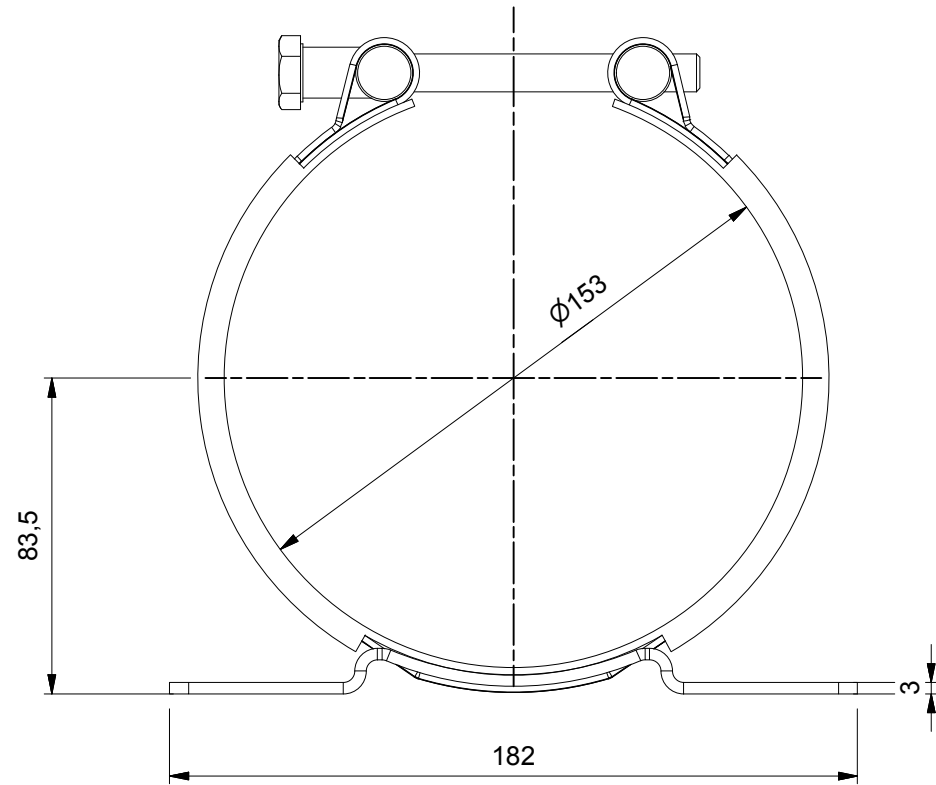
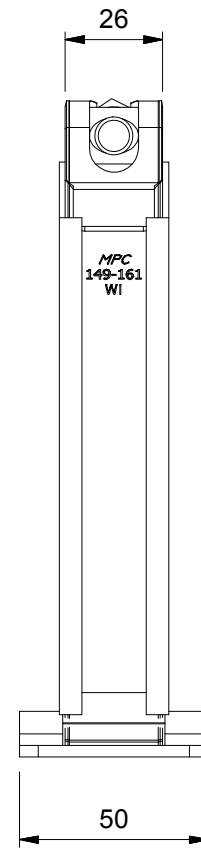


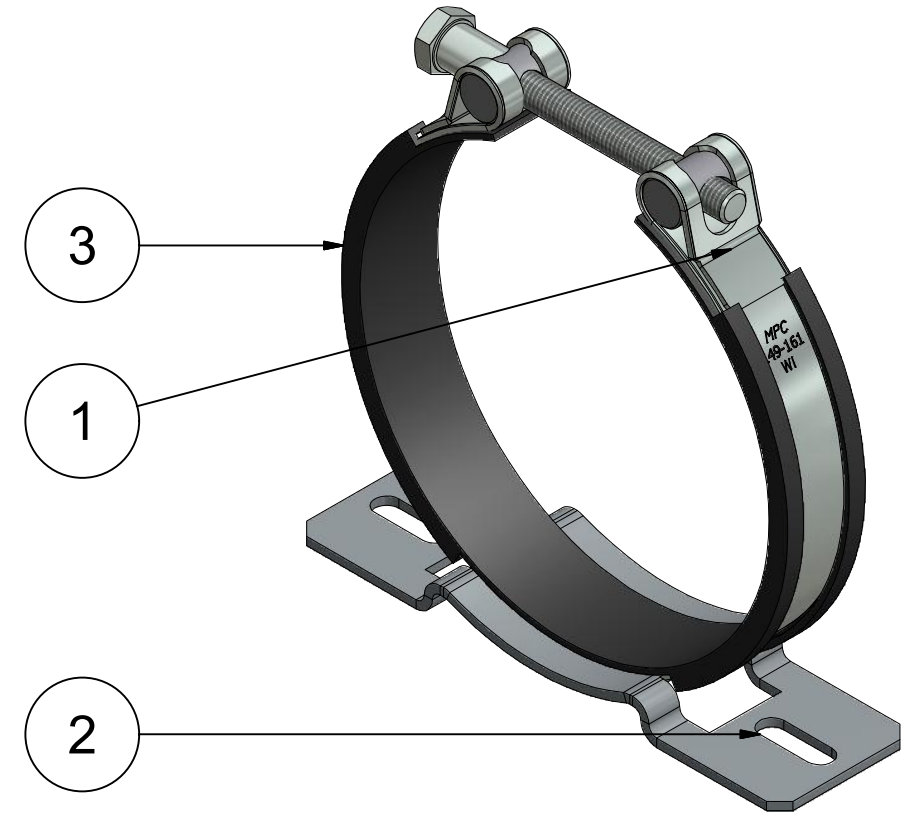
Front view (1 : 2)



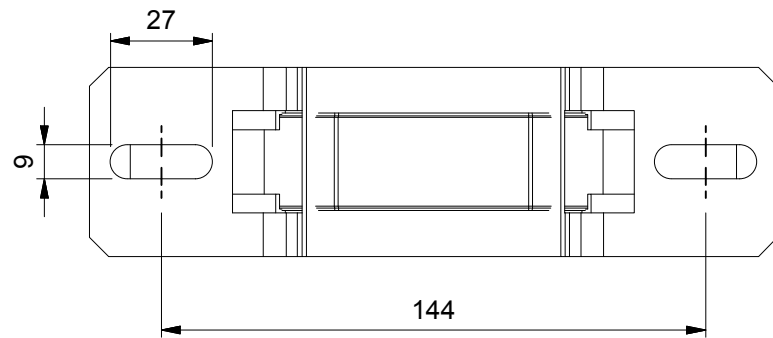
Side view (1 : 2)



Parts identification (1 : 2)



Bottom view (1 : 2)



Item	Qty	Description	Material
1	1	Clamppart	Zinc plated, Steel, Mild
2	1	Console for light accuclamp, 1R, W1, Longer	Zinc plated Steel, Mild
3	1	Rubber profile	EPDM Rubber Shore hardness 65°±5°



© 2015 MPC INDUSTRIES BV, developed and designed by MPC INDUSTRIES BV

General Tolerances: according to: DIN 2768-vL

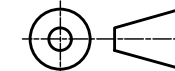
SURFACE TREATMENT AND OR PROTECTION:

NOTICE TO PERSONS RECEIVING THIS DRAWING AND/OR TECHNICAL INFORMATION:
MPC Industries BV claims proprietary rights to the material disclosed hereon. This drawing and/or technical information is issued in confidence for engineering information only and may not be reproduced or used to manufacture anything shown or referred to hereon without direct written permission from MPC Industries BV to the user. This drawing and/or technical information is the property of MPC Industries BV and is loaned for mutual assistance to be returned when its purpose has been served.
THIS DRAWING AND/OR TECHNICAL INFORMATION IS THE PROPERTY OF MPC INDUSTRIES BV.
DO NOT SCALE FROM DRAWING.

Material: Mass: 0.536 kg

Doc no.: ACCUL1144153LC.dwg

Third angle projection:



Part number:
ACCUL1144153LC

Drawn by: Gy.Kardos

Creation date: 02/03/2016

Checked by:

Checked date:

Scale 1:2

Units: mm

Status: Released

Description:
MPC Industries, Light accumulator clamp, Ø144-153mm, W1

Revision:

Format:

A3