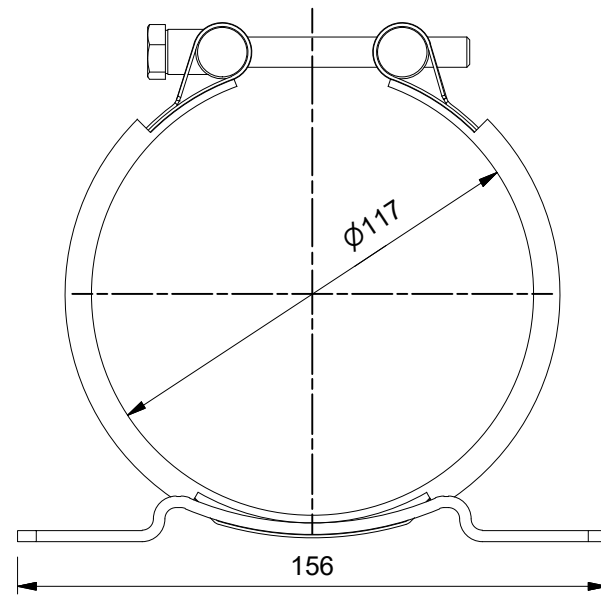
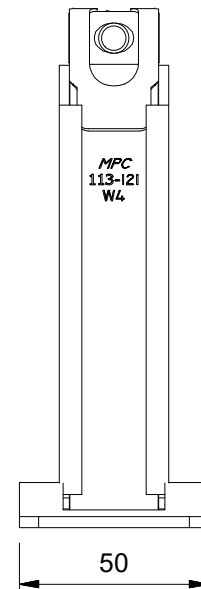


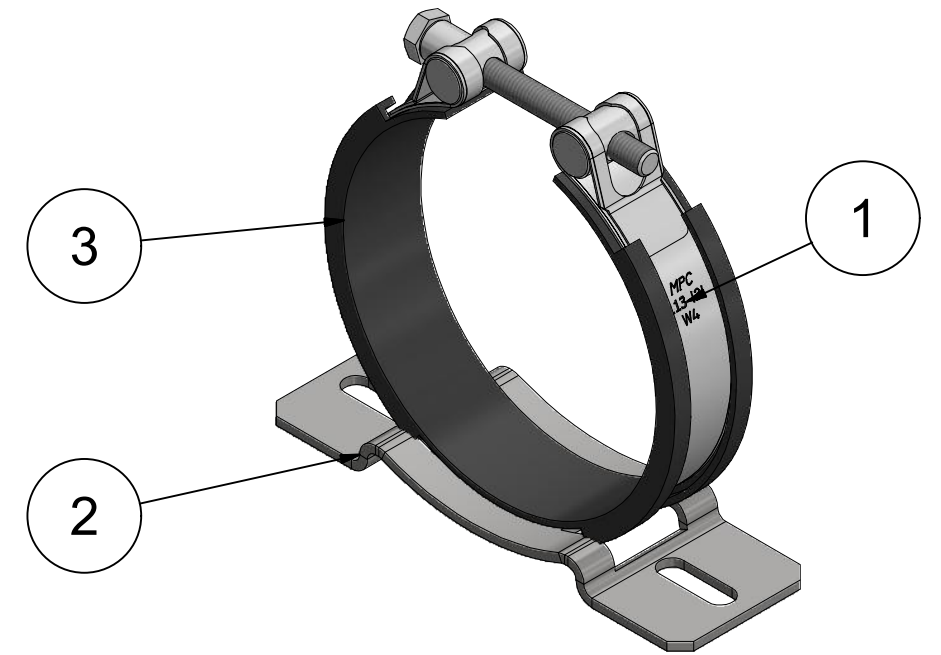
Front view (1 : 2)



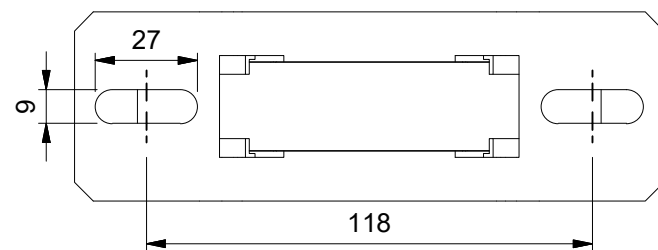
Side view (1 : 2)




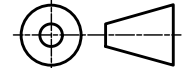
Iso view (1 : 2)



Bottom view (1 : 2)



Item	Qty	Description	Material
1	1	Clamppart	Stainless Steel AISI 316
2	1	Console for light accuclamp, 1R, W5	Stainless Steel AISI 316
3	1	Rubber profile	EPDM Rubber Shore hardness 65°±5°

	© 2016 MPC INDUSTRIES BV, developed and designed by MPC INDUSTRIES BV	
	General Tolerances: according to: DIN 2768-vL	
SURFACE TREATMENT AND/OR PROTECTION:		
Material:		Mass: 0.337 kg
Doc no.: ACCUL5109117.dwg		
Third angle projection:		Part number:
		ACCUL5109117
Drawn by: Gy.Kardos	Creation date: 08/06/2016	Description: MPC Industries, Light accumulator clamp, Ø109-117mm, W5
Checked by:	Checked date:	
Scale 1:2	Units: mm	Revision:
Status: Released		Format: A3
MPC Industries B. V. Badweg 38 8401 BL Gorredijk Postbus 225 8400 AE Gorredijk. Tel.: . 0513 465477 Fax.: 0513 465736		

NOTICE TO PERSONS RECEIVING THIS DRAWING AND/OR TECHNICAL INFORMATION:
MPC Industries BV claims proprietary rights to the material disclosed hereon. This drawing and/or technical information is issued in confidence for engineering information only and may not be reproduced or used to manufacture anything shown or referred to hereon without direct written permission from MPC Industries BV to the user. This drawing and/or technical information is the property of MPC Industries BV and is loaned for mutual assistance to be returned when its purpose has been served.
THIS DRAWING AND/OR TECHNICAL INFORMATION IS THE PROPERTY OF MPC INDUSTRIES BV.
DO NOT SCALE FROM DRAWING.