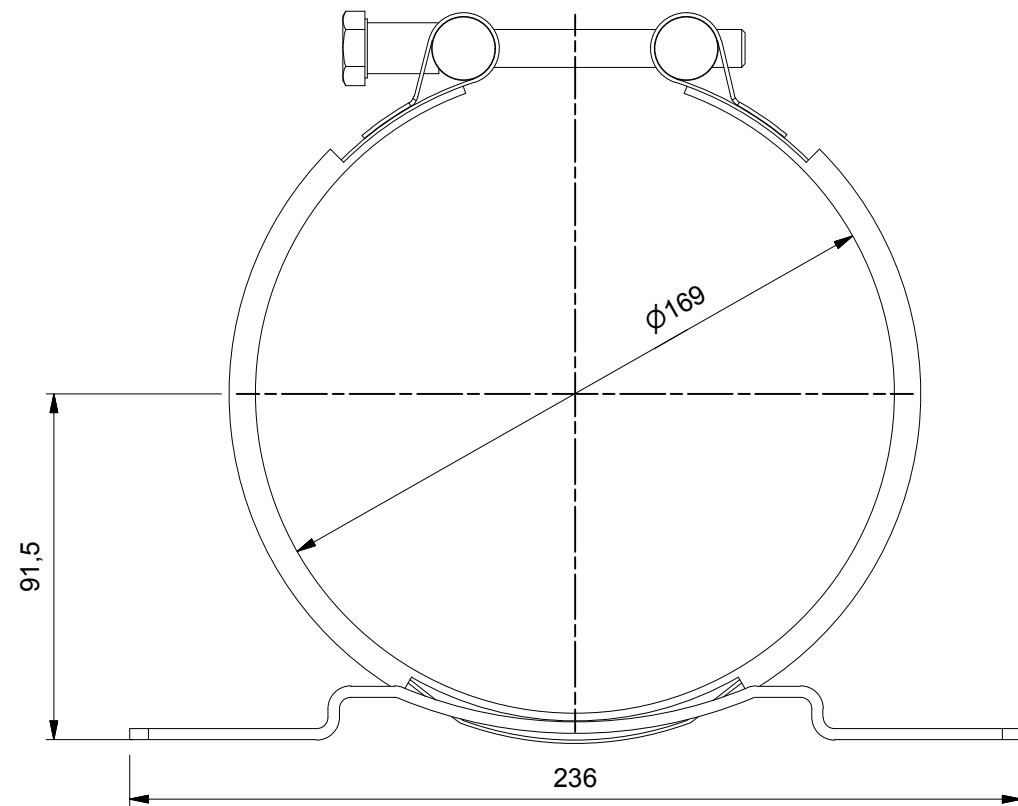
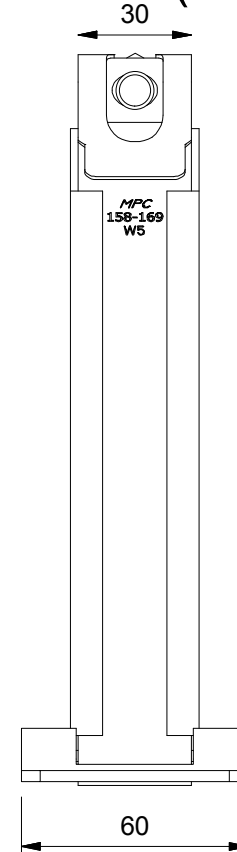


Front view ( 1 : 2 )



Side view ( 1 : 2 )

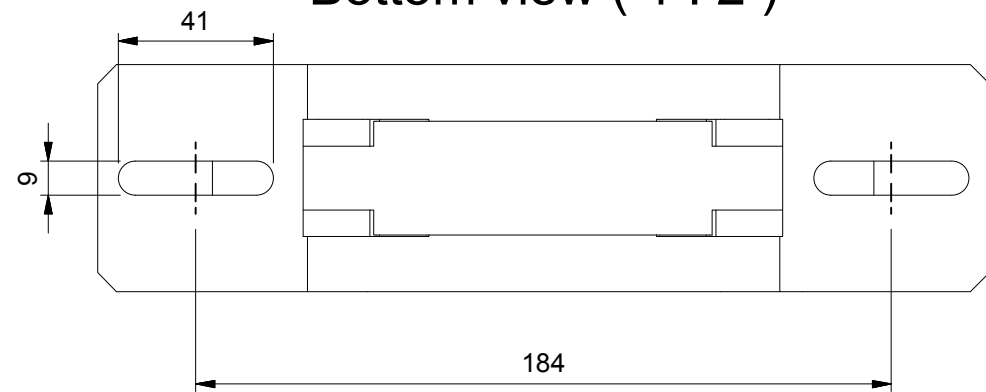


Iso view ( 1 : 2 )


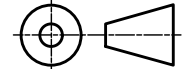


Product mark:  
MPC  
158-169  
W5

Bottom view ( 1 : 2 )



Item	Qty	Description	Material
1	1	Console for light accuclamp 30mm,	Stainless Steel AISI 316
2	1	Clamppart	Stainless Steel AISI 316
3	1	Trunnion Ø17x30xØ10,5	Stainless Steel AISI 316
4	1	Trunnion Ø17x30xM10	Stainless Steel AISI 316
5	1	Hex-Head Bolt M10x100	Stainless Steel AISI 316
6	1	Spacer	Stainless Steel AISI 316
7	1	Rubber profile	EPDM Rubber Shore hardness 65°±5°

		© 2017 MPC INDUSTRIES BV, developed and designed by MPC INDUSTRIES BV	
		General Tolerances: according to: DIN 2768-VL	
<p>NOTICE TO PERSONS RECEIVING THIS DRAWING AND/OR TECHNICAL INFORMATION:</p> <p>MPC Industries BV claims proprietary rights to the material disclosed hereon. This drawing and/or technical information is issued in confidence for engineering information only and may not be reproduced or used to manufacture anything shown or referred to hereon without direct written permission from MPC Industries BV to the user. This drawing and/or technical information is the property of MPC Industries BV and is loaned for mutual assistance to be returned when its purpose has been served.</p> <p>THIS DRAWING AND/OR TECHNICAL INFORMATION IS THE PROPERTY OF MPC INDUSTRIES BV.</p> <p>DO NOT SCALE FROM DRAWING.</p>		SURFACE TREATMENT AND OR PROTECTION:	
		Material:	
Doc no.: ACCUL5158169-K5.dwg		Part number:	
Third angle projection:			
Drawn by: Gy.Kardos Checked by: M. Wiersma Scale: 1:2 Status: Released		Creation date: 2-2-2017 Checked date: 2-2-2017 Units: mm	
Description: MPC Industries, Light accumulator clamp, Ø 158-169 mm, W5		Revision: Format: <b>A3</b>	
MPC Industries B. V. Badweg 38 8401 BL Gorredijk Postbus 225 8400 AE Gorredijk. Tel.: . 0513 465477 Fax.: 0513 465736			