

Item	Qty	PART NUMBER	Description	STOCK NUMBER	Material	Length
1	1	K-0R	Accu light console 0R	XPLAT30x3	DC01 C390	128 mm
2	1	SP080	SP Clamp, Ø 80-86 mm, W1	SP080	W1	



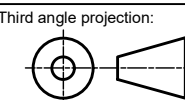
© 2017 MPC INDUSTRIES BV, developed and designed by MPC INDUSTRIES BV

General Tolerances: according to: DIN 2768-vL
SURFACE TREATMENT AND OR PROTECTION:

Commercial Drawing

NOTICE TO PERSONS RECEIVING THIS DRAWING AND/OR TECHNICAL INFORMATION:
MPC Industries BV claims proprietary rights to the material disclosed hereon. This drawing and/or technical information is issued in confidence for engineering information only and may not be reproduced or used to manufacture anything shown or referred to hereon without direct written permission from MPC Industries BV to the user. This drawing and/or technical information is the property of MPC Industries BV and is loaned for mutual assistance to be returned when its purpose has been served.
THIS DRAWING AND/OR TECHNICAL INFORMATION IS THE PROPERTY OF MPC INDUSTRIES BV
DO NOT SCALE FROM DRAWING.

Material: ,
Filename: CAA-40000001A-00.dwg
Mass: 0,224 kg
Sheet: 1 / 2

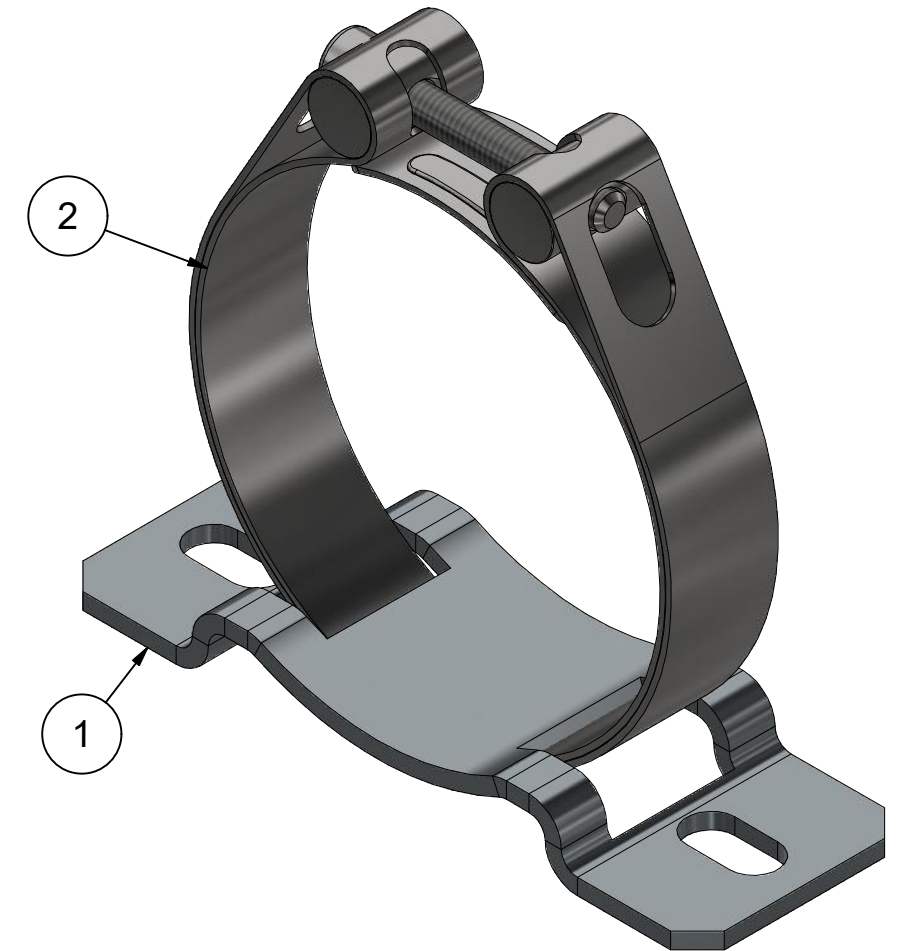
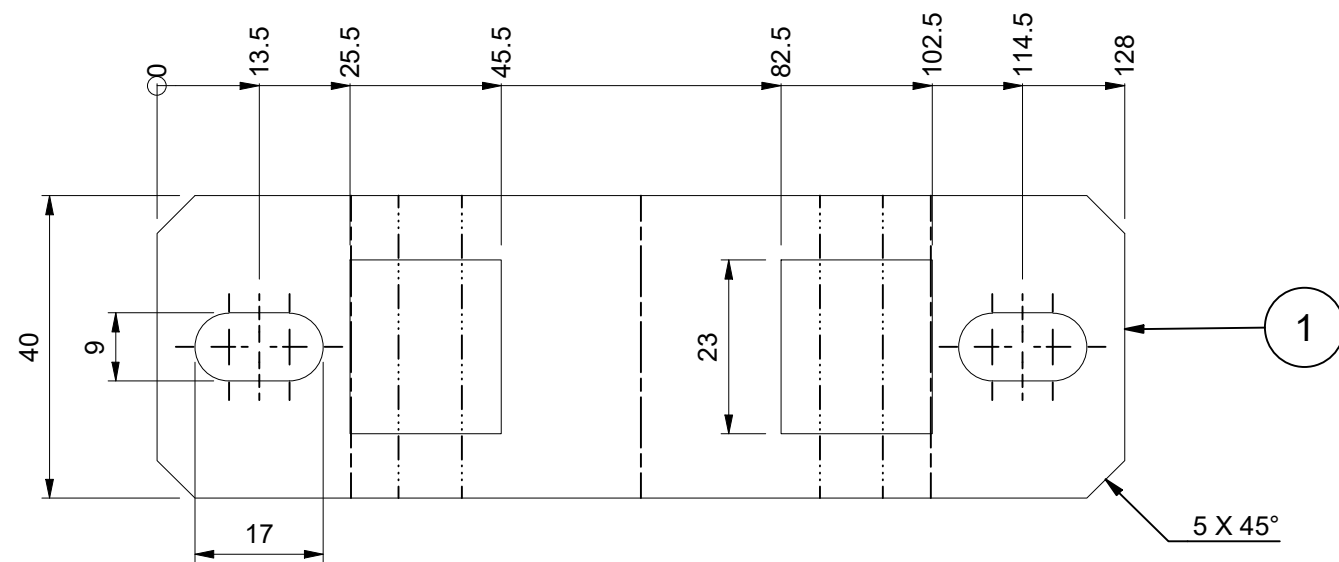


Part number:
CAA-40000001A-00

Drawn by: M. Wiersma
Checked by: C.P. Dijkstra
Scale 1 : 1
Status: Released
Creation date: 12/07/2018
Checked date: 25/07/2018
Units: mm

Description:
Acculight console 0R with SP080, Clamp range Ø82-Ø77
Revision:
A
Format:
A3

Rev.	Datum	Omschrijving	AUTHOR
A	30/07/2018	Added new clamp range	C.P. Dijkstra
Revisie overzicht			



Include new clamp range sticker on clamp.
Ø82-Ø77

Item	Qty	PART NUMBER	Description	STOCK NUMBER	Material	Length
1	1	K-0R	Accu light console 0R	XPLAT30x3	DC01 C390	128 mm
2	1	SP080	SP Clamp, Ø 80-86 mm, W1	SP080	W1	



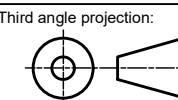
© 2017 MPC INDUSTRIES BV, developed and designed by MPC INDUSTRIES BV

General Tolerances: according to: DIN 2768-vL
SURFACE TREATMENT AND OR PROTECTION:

Production Drawing

NOTICE TO PERSONS RECEIVING THIS DRAWING AND/OR TECHNICAL INFORMATION:
MPC Industries BV claims proprietary rights to the material disclosed hereon. This drawing and/or technical information is issued in confidence for engineering information only and may not be reproduced or used to manufacture anything shown or referred to hereon without direct written permission from MPC Industries BV to the user. This drawing and/or technical information is the property of MPC Industries BV and is loaned for mutual assistance to be returned when its purpose has been served.
THIS DRAWING AND/OR TECHNICAL INFORMATION IS THE PROPERTY OF MPC INDUSTRIES BV.
DO NOT SCALE FROM DRAWING.

Material: ·
Filename: CAA-40000001A-00.dwg
Mass: 0,224 kg
Sheet: 2 / 2



Part number:
CAA-40000001A-00

Drawn by: M. Wiersma
Checked by: C.P. Dijkstra
Scale 1 : 1
Status: Released
Creation date: 12/07/2018
Checked date: 25/07/2018
Units: mm

Description:
Acculight console 0R with SP080, Clamp range Ø82-Ø77
Revision:
A
Format:
A3

Rev.	Datum	Omschrijving	AUTHOR
A	30/07/2018	Added new clamp range	C.P. Dijkstra
Revisie overzicht			