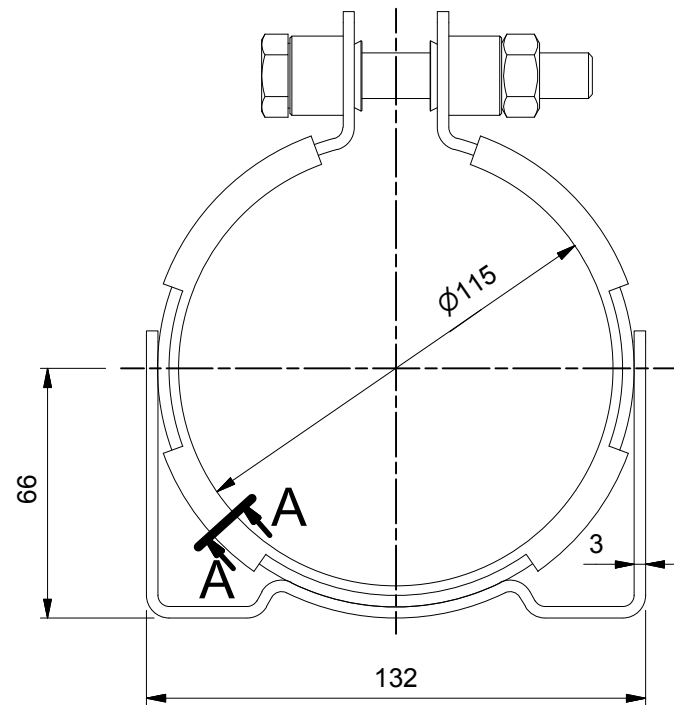
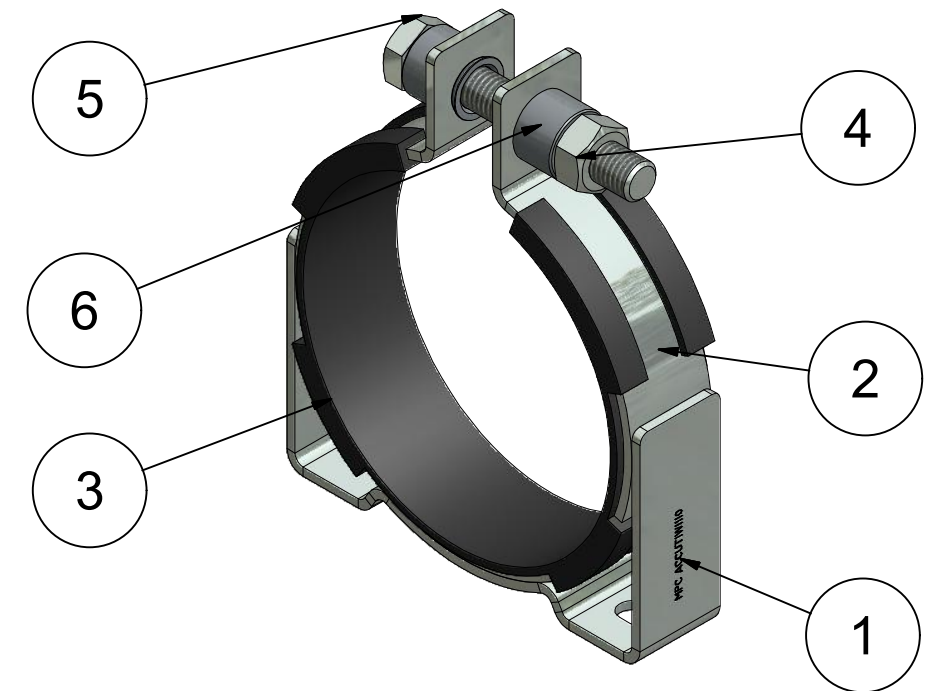
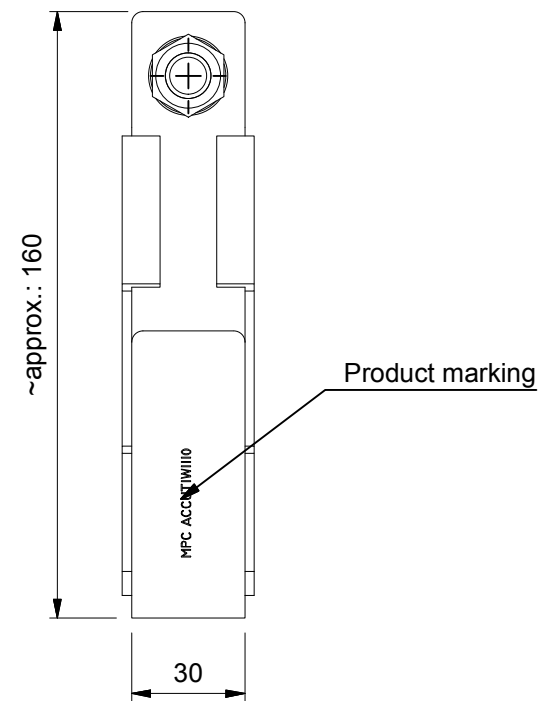


Parts identification (1 : 2)

Front view (1 : 2)

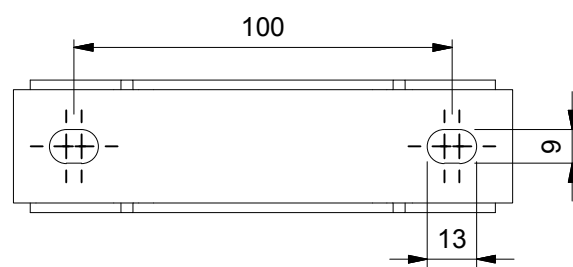


Side view (1 : 2)

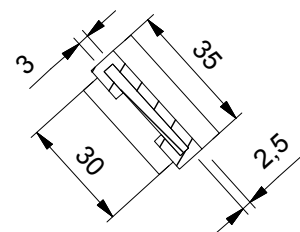


Item	Qty	Description	Material
1	1	Console part	Zinc plated, Steel, Mild
2	1	Clamp part	Zinc plated, Steel, Mild
3	1	Rubber part	EPDM Rubber Shore hardness 65±5°
4	1	NUT M12, DIN 934	Zinc plated, ST 8.8
5	1	Screw DIN 933 M12*80 full threaded	Zinc plated, ST 8.8
6	2	Rivet Ø21	Zinc plated, Steel, Mild

Bottom view (1 : 2)


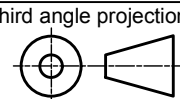


A-A (1 : 2)



Product mark:
ACCUTIW1110

Revision history			
Rev.	Date	Description	AUTHOR
-	19-1-2013	Drawing created	gyula
1	14-1-2014	Drawing renewed	gyula

	Material:	Dimensions: -
	Doc no.: ACCUT1W1110.dwg	Part number: ACCUT1W1110
Third angle projection:		

Drawn by: gyula	Creation date: 19-1-2012	Description: MPC Industries Accumulator clamp, 110-115 mm, W1	Revision: 1
Checked by:	Checked date:		Format: A3
Scale: 1:2	Units: mm		
Status: Released			

NOTICE TO PERSONS RECEIVING THIS DRAWING AND/OR TECHNICAL INFORMATION:
MPC Industries BV claims proprietary rights to the material disclosed hereon. This drawing and/or technical information is issued in confidence for engineering information only and may not be reproduced or used to manufacture anything shown or referred to hereon without direct written permission from MPC Industries BV to the user. This drawing and/or technical information is the property of MPC Industries BV and is loaned for mutual assistance to be returned when its purpose has been served.
THIS DRAWING AND/OR TECHNICAL INFORMATION IS THE PROPERTY OF MPC INDUSTRIES BV