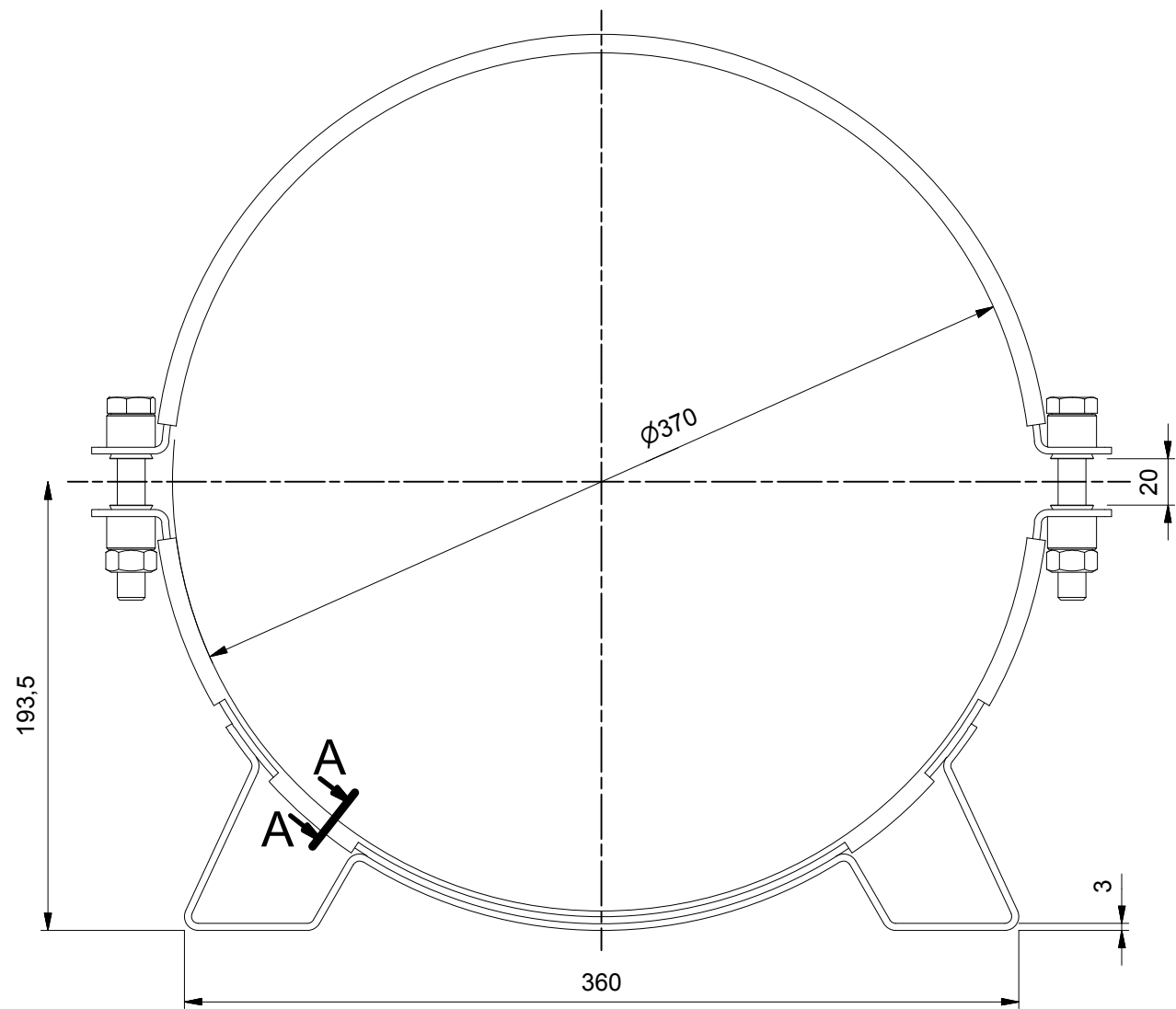
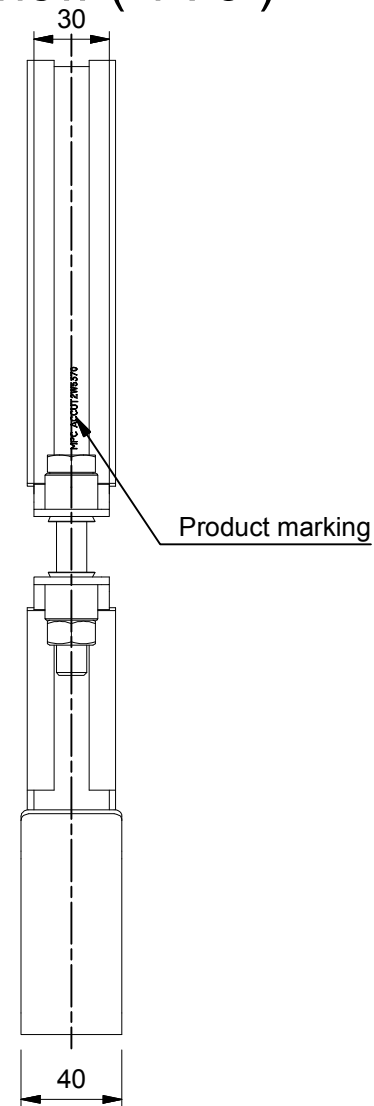


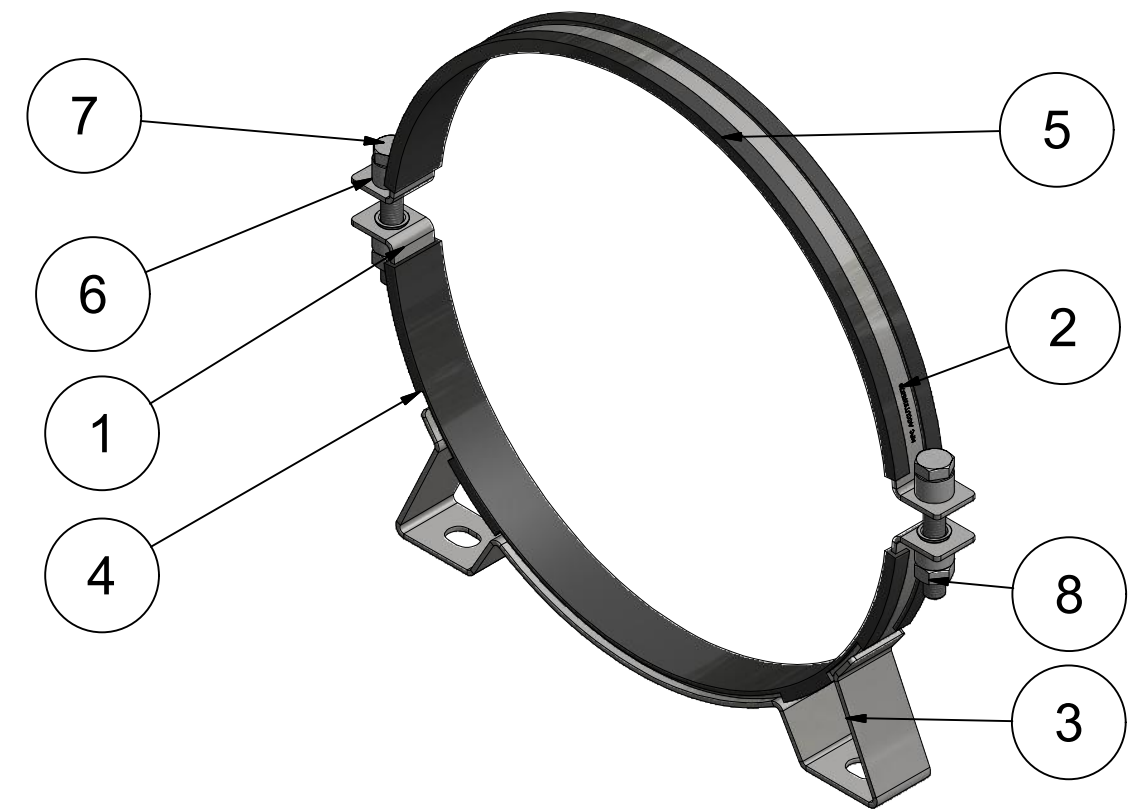
Front view (1 : 3)



Side view (1 : 3)

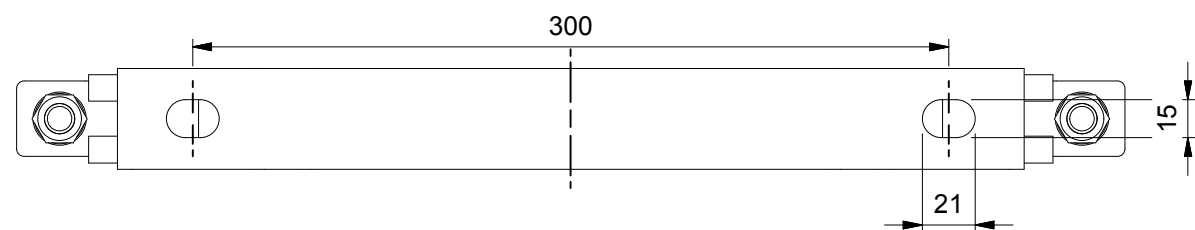


Parts identification (1 : 4)

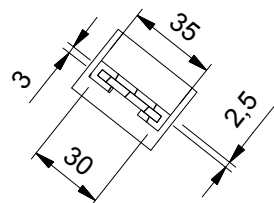


Item	Qty	Description	Material
1	1	Lower clamp part	Stainless Steel AISI 316
2	1	Upper clamp part	Stainless Steel AISI 316
3	1	Console part	Stainless Steel AISI 316
4	1	Lower rubber part	EPDM Rubber Shore hardness 65°±5°
5	1	Upper rubber part	EPDM Rubber Shore hardness 65°±5°
6	4	Rivet Ø21	AISI316
7	2	Srew M12x80	RVS A4-80
8	2	Hex Nut M12	RVS A4-80


Bottom view (1 : 3)



A-A (1 : 3)



Product markt:
MPC ACCUT2W5370

		© 2013 MPC INDUSTRIES BV, developed and designed by MPC INDUSTRIES BV	
		General Tolerances: according to: DIN 2768-vL	
NOTICE TO PERSONS RECEIVING THIS DRAWING AND/OR TECHNICAL INFORMATION: MPC Industries BV claims proprietary rights to the material disclosed hereon. This drawing and/or technical information is issued in confidence for engineering information only and may not be reproduced or used to manufacture anything shown or referred to hereon without direct written permission from MPC Industries BV to the user. This drawing and/or technical information is the property of MPC Industries BV and is loaned for mutual assistance to be returned when its purpose has been served. THIS DRAWING AND/OR TECHNICAL INFORMATION IS THE PROPERTY OF MPC INDUSTRIES BV. DO NOT SCALE FROM DRAWING.		Material:	Dimensions:
		Doc no.: ACCUT2W5370.dwg	
		Third angle projection:	Part number: ACCUT2W5370
Drawn by: Gyula	Creation date: 8-1-2014	Description: MPC Industries, Accumulator clamp type 2, 360-370 mm, W5	
Checked by:	Checked date:		
Scale 1:3	Units: mm	Revision: Format: A3	
Status: Released			
MPC Industries B. V. Badweg 38 8401 BL Gorredijk Postbus 225 8400 AE Gorredijk. Tel.: . 0513 465477 Fax.: 0513 465736			