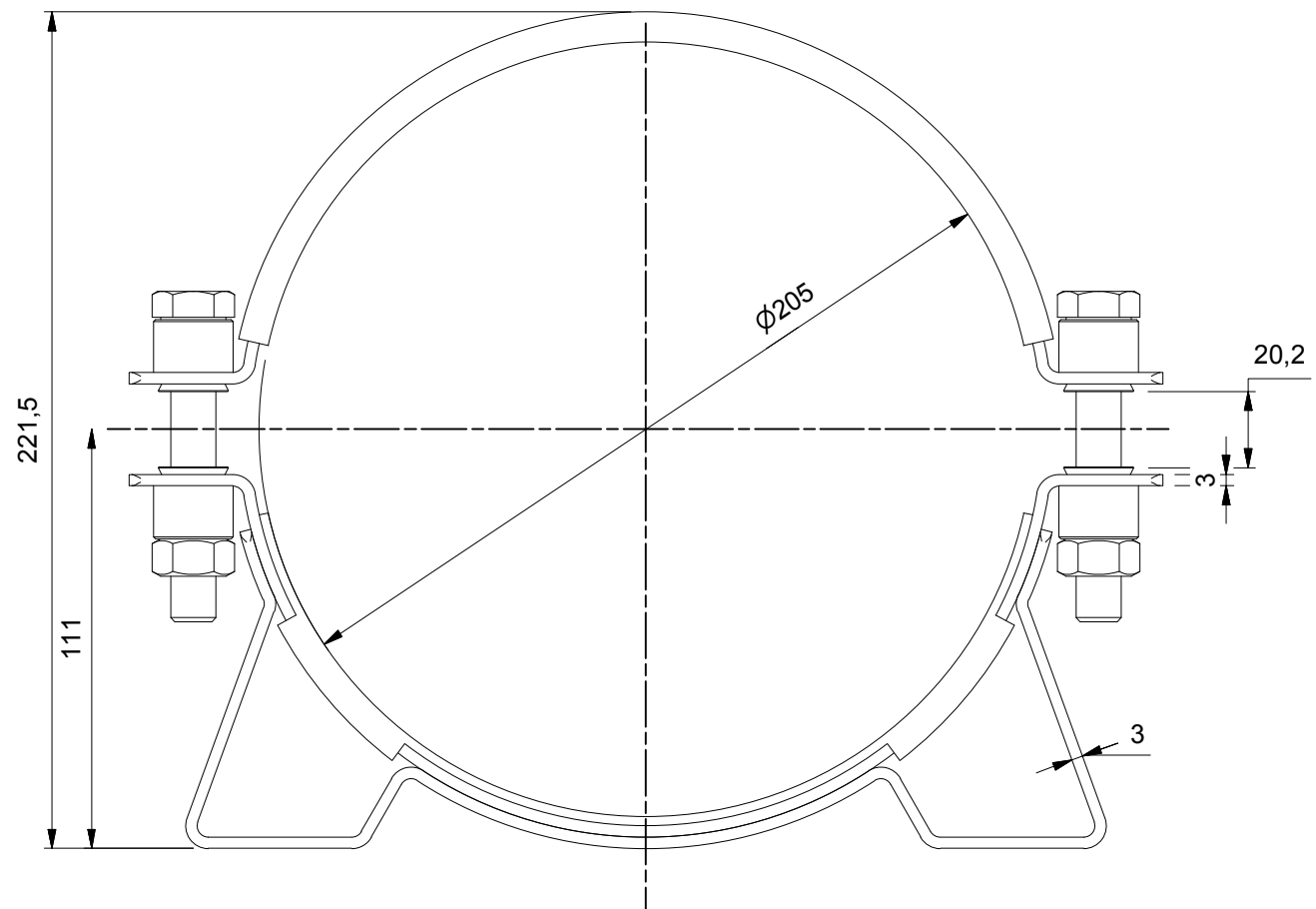
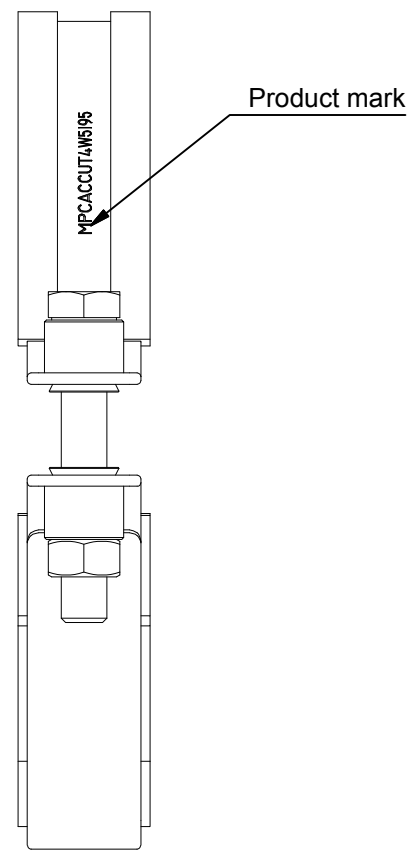


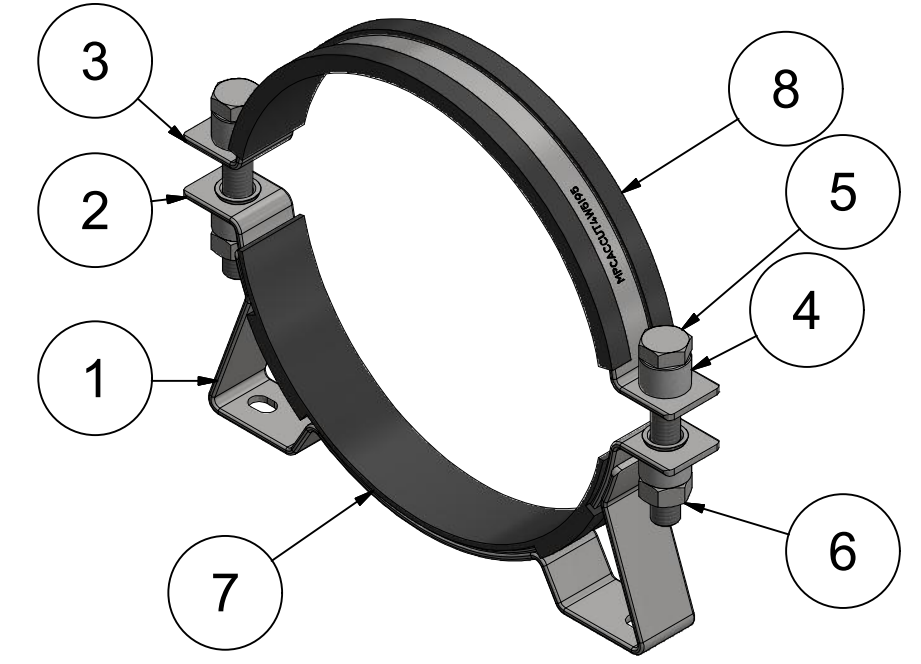
VIEW1 ( 1 : 2 )



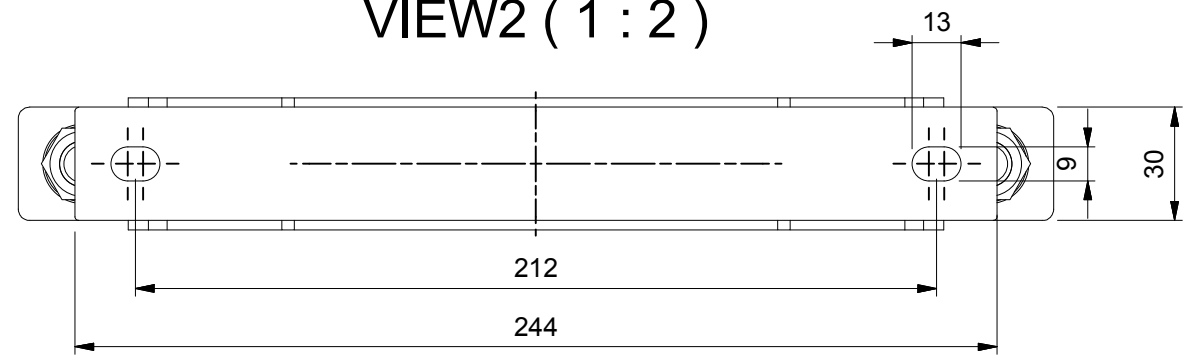
VIEW3 ( 1 : 2 )




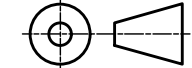
VIEW4 ( 1 : 3 )

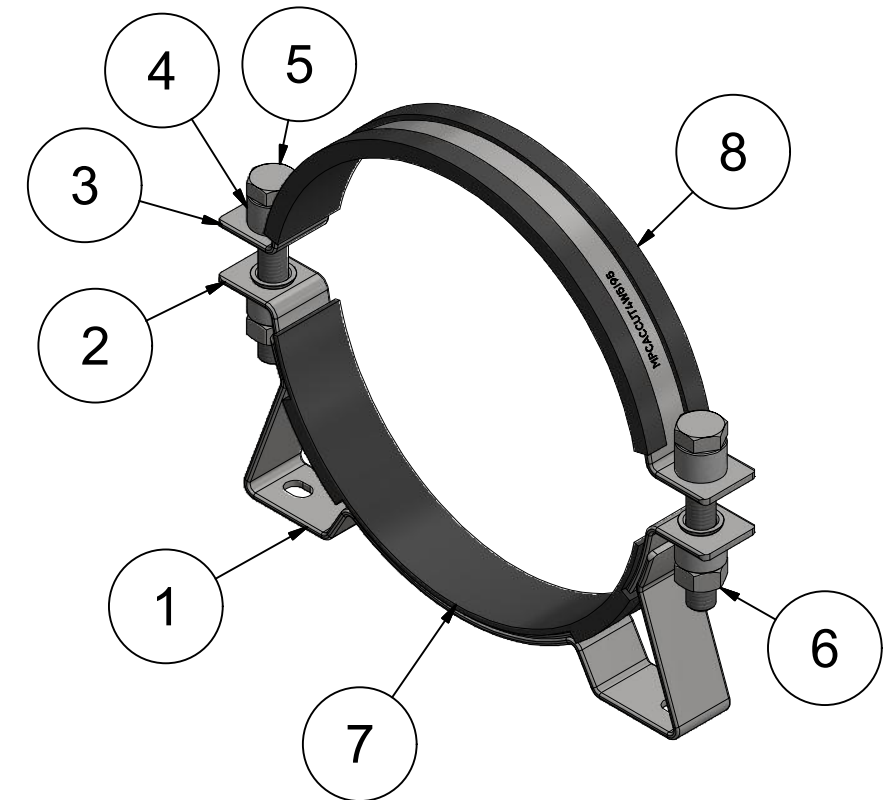
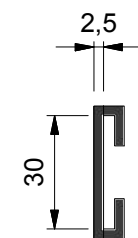
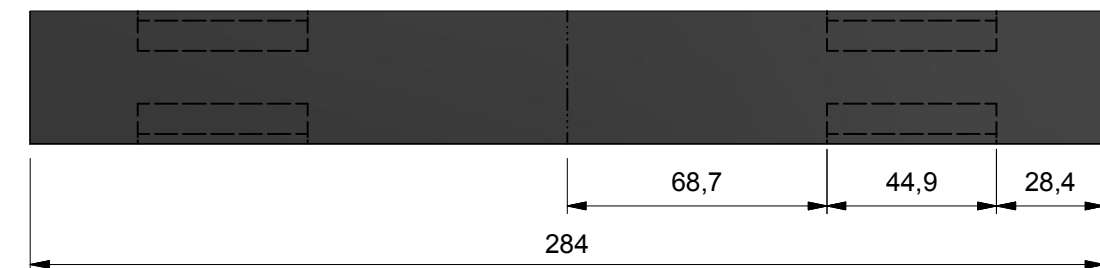
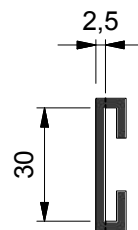
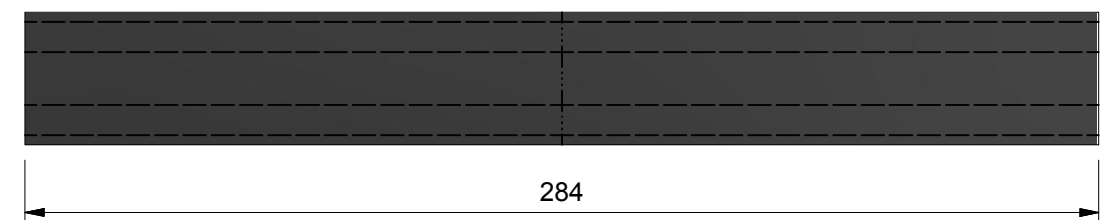
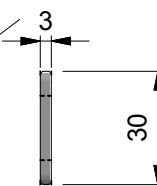
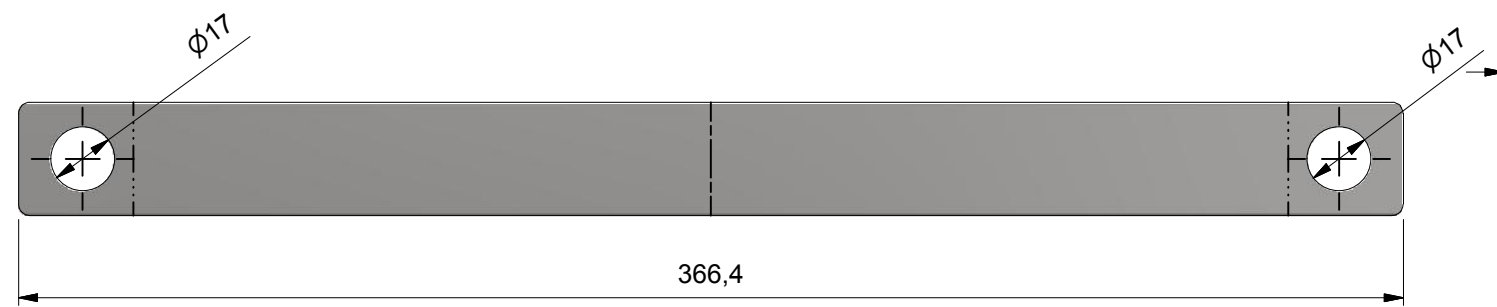
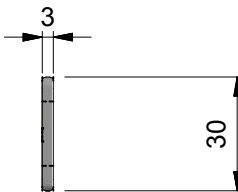
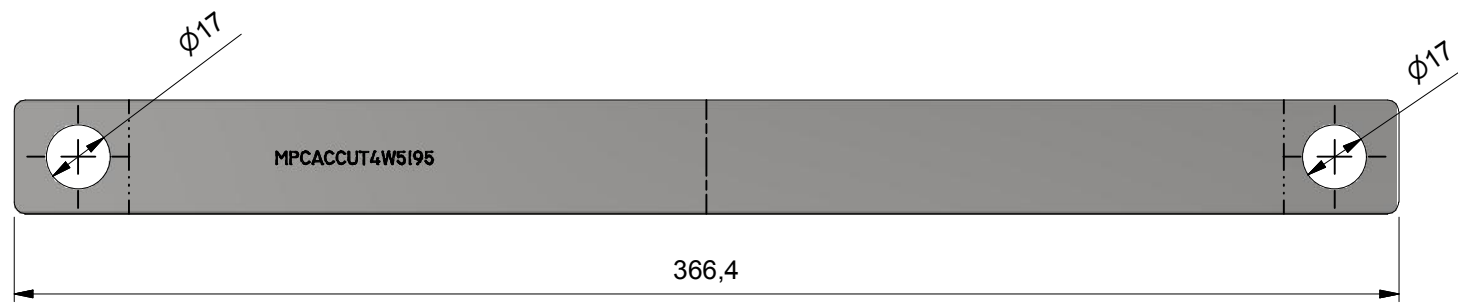
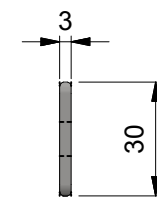
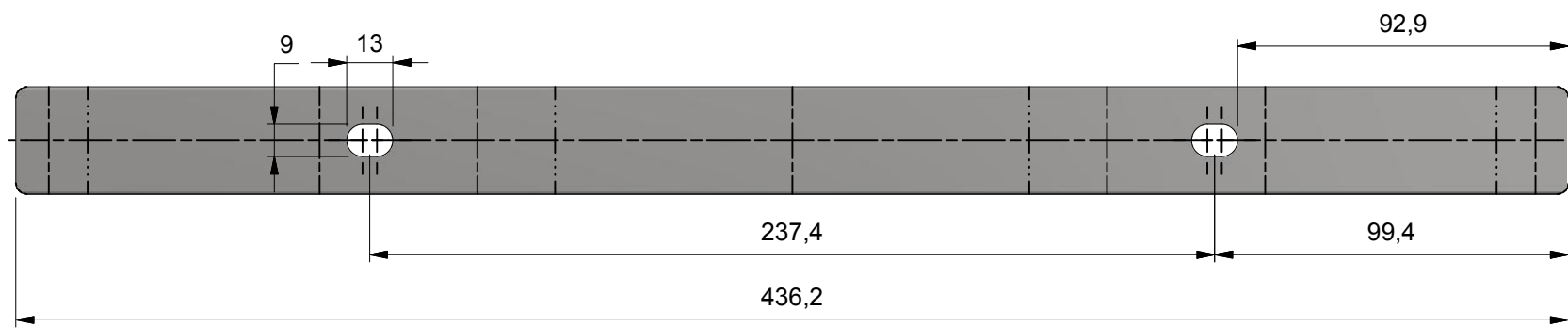


VIEW2 ( 1 : 2 )



| Item | Qty | Description                      | Material                          | MASS     |
|------|-----|----------------------------------|-----------------------------------|----------|
| 1    | 1   | Bracket part ACCUT4W5195205      | Stainless Steel AISI 316          | 0,309 kg |
| 2    | 1   | Lower clamp part ACCUT4W5195205  | Stainless Steel AISI 316          | 0,252 kg |
| 3    | 1   | Upper clamp part ACCUT4W5195205  | Stainless Steel AISI 316          | 0,252 kg |
| 4    | 4   | Rivet Ø21                        | AISI316                           | 0,030 kg |
| 5    | 2   | Srew M12x80 DIN 933              | RVS A4-80                         | 0,090 kg |
| 6    | 2   | Hex Nut M12 DIN 394              | RVS A4-80                         | 0,018 kg |
| 7    | 1   | Lower rubber part ACCUT4W5195205 | EPDM Rubber Shore hardness 65°±5° | 0,029 kg |
| 8    | 1   | Upper rubber part ACCUT4W5195205 | EPDM Rubber Shore hardness 65°±5° | 0,041 kg |

|   |  |  |  |
|---|--|--|--|
|    |  | © 2016 MPC INDUSTRIES BV, developed and designed by MPC INDUSTRIES BV  |  |
|   |  | General Tolerances: according to: DIN 2768-vL  |  |
| NOTICE TO PERSONS RECEIVING THIS DRAWING AND/OR TECHNICAL INFORMATION:<br>MPC Industries BV claims proprietary rights to the material disclosed hereon. This drawing and/or technical information is issued in confidence for engineering information only and may not be reproduced or used to manufacture anything shown or referred to hereon without direct written permission from MPC Industries BV to the user. This drawing and/or technical information is the property of MPC Industries BV and is loaned for mutual assistance to be returned when its purpose has been served.<br>THIS DRAWING AND/OR TECHNICAL INFORMATION IS THE PROPERTY OF MPC INDUSTRIES BV.<br>DO NOT SCALE FROM DRAWING. |  | Material: _____ Mass: 1,216 kg<br>Doc no.: ACCUT4W5195205.dwg Sheet: 1 / 2<br>Third angle projection:  Part number: <b>ACCUT4W5195205</b> |  |
| Drawn by: M. Wiersma<br>Checked by: R. Tirry<br>Scale 1 : 2<br>Status: Released   | Creation date: 19-9-2017<br>Checked date: 19-9-2017<br>Units: mm | Description:<br>MPC Industries Accumulator clamp type 4, Ø 195-205 mm, AISI 316<br>Revision: _____<br>Format: <b>A3</b>  |  |
| MPC Industries B. V. Badweg 38 8401 BL Gorredijk Postbus 225 8400 AE Gorredijk. Tel.: . 0513 465477 Fax.: 0513 465736   |  |  |  |



| Item | Qty | Description                      | SAP P/N Material: | Material                          | Length   |
|------|-----|----------------------------------|-------------------|-----------------------------------|----------|
| 1    | 1   | Bracket part ACCUT4W5195205      | XPLAT30X3RVS316   | Stainless Steel AISI 316          | 436.4 mm |
| 2    | 1   | Lower clamp part ACCUT4W5195205  | XPLAT30X3RVS316   | Stainless Steel AISI 316          | 366.4 mm |
| 3    | 1   | Upper clamp part ACCUT4W5195205  | XPLAT30X3RVS316   | Stainless Steel AISI 316          | 366.4 mm |
| 4    | 4   | Rivet Ø21                        | XPROPACCUW5       | AISI316                           |          |
| 5    | 2   | Srew M12x80 DIN 933              | XMOERM12W5        | RVS A4-80                         |          |
| 6    | 2   | Hex Nut M12 DIN 394              | XBOUTM12X80W5     | RVS A4-80                         |          |
| 7    | 1   | Lower rubber part ACCUT4W5195205 | XRUBBER30X3       | EPDM Rubber Shore hardness 65°±5° | 284.0 mm |
| 8    | 1   | Upper rubber part ACCUT4W5195205 | XRUBBER30X3       | EPDM Rubber Shore hardness 65°±5° | 284.0 mm |
| 9    |     | Chemically cleaning and pickling | XXBEITSENRVS      |                                   |          |

© 2016 MPC INDUSTRIES BV, developed and designed by MPC INDUSTRIES BV

General Tolerances: according to: DIN 2768-vL

SURFACE TREATMENT AND/OR PROTECTION:

---

NOTICE TO PERSONS RECEIVING THIS DRAWING AND/OR TECHNICAL INFORMATION:  
 MPC Industries BV claims proprietary rights to the material disclosed hereon. This drawing and/or technical information is issued in confidence for engineering information only and may not be reproduced or used to manufacture anything shown or referred to hereon without direct written permission from MPC Industries BV to the user. This drawing and/or technical information is the property of MPC Industries BV and is loaned for mutual assistance to be returned when its purpose has been served.  
 THIS DRAWING AND/OR TECHNICAL INFORMATION IS THE PROPERTY OF MPC INDUSTRIES BV.  
 DO NOT SCALE FROM DRAWING.

Material: \_\_\_\_\_ Mass: 1,216 kg

Doc no.: ACCUT4W5195205.dwg Sheet: 2 / 2

Third angle projection:

Part number: **ACCUT4W5195205**

Description: MPC Industries Accumulator clamp type 4, Ø 195-205 mm, AISI 316

Revision: \_\_\_\_\_

Format: **A3**

Drawn by: M. Wiersma Creation date: 19-9-2017

Checked by: R. Tirry Checked date: 19-9-2017

Scale 1 : 3 Units: mm

Status: Released

MPC Industries B. V. Badweg 38 8401 BL Gorredijk Postbus 225 8400 AE Gorredijk. Tel.: . 0513 465477 Fax.: 0513 465736