

Item number: CAA-50810338I

Item	Qty	PART NUMBER	Description	STOCK NUMBER	Material	Length
1	1	AIA-30033000I-01	Base	XPLAT30x3	DC01 C390	157.5 mm
2	1	AIA-30033000I-02	Clamp part	XPLAT30x3	DC01 C390	278 mm
3	1	AIA-30033000I-03	Rubber base	XRUBBER	EPDM Shore 65°±5°	66.2 mm
4	1	AIA-30033000I-04	Rubber clamp part	XRUBBER	EPDM Shore 65°±5°	189 mm



© 2017 MPC Clamps Inc, developed and designed by MPC Clamps Inc.

General Tolerances: according to: ISO 2768-vL

SURFACE TREATMENT AND OR PROTECTION:
Zinc plated
DIN50961: Fe/Zn 8-12µm

NOTICE TO PERSONS RECEIVING THIS DRAWING AND/OR TECHNICAL INFORMATION:
MPC Clamps Inc claims proprietary rights to the material disclosed herein. This drawing and/or technical information is issued in confidence for engineering information only and may not be reproduced or used to manufacture anything shown or referred to hereon without direct written permission from MPC Clamps Inc to the user. This drawing and/or technical information is the property of MPC Clamps Inc. and is loaned for mutual assistance to be returned when its purpose has been served.
THIS DRAWING AND/OR TECHNICAL INFORMATION IS THE PROPERTY OF MPC Clamps Inc.
DO NOT SCALE FROM DRAWING.

Material: AIA-30033000I-00 Mass: 0,340 kg
Filename: AIA-30033000I-00.dwg Sheet: 1 / 6

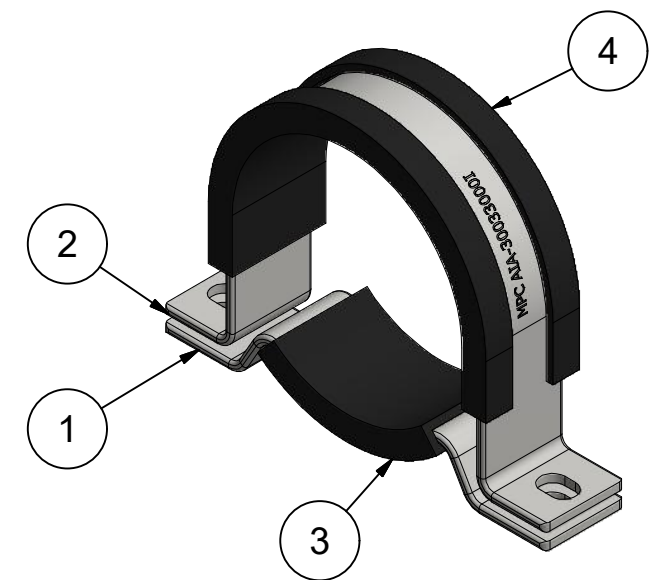
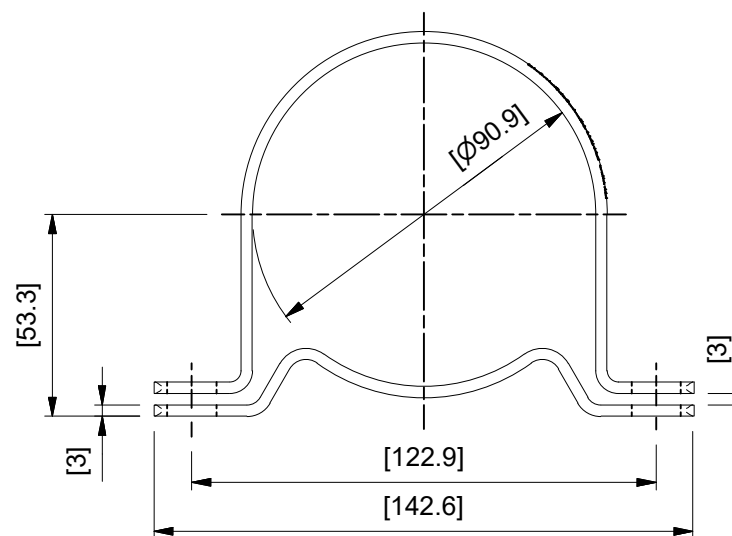
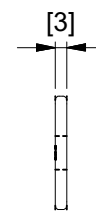
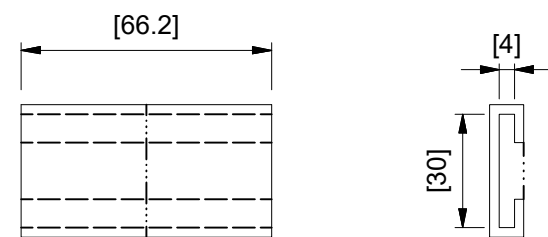
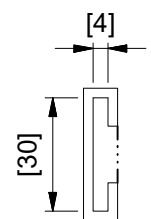
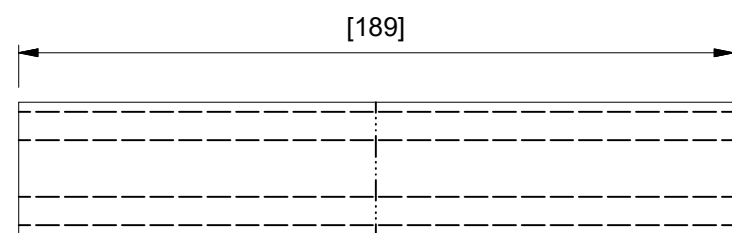
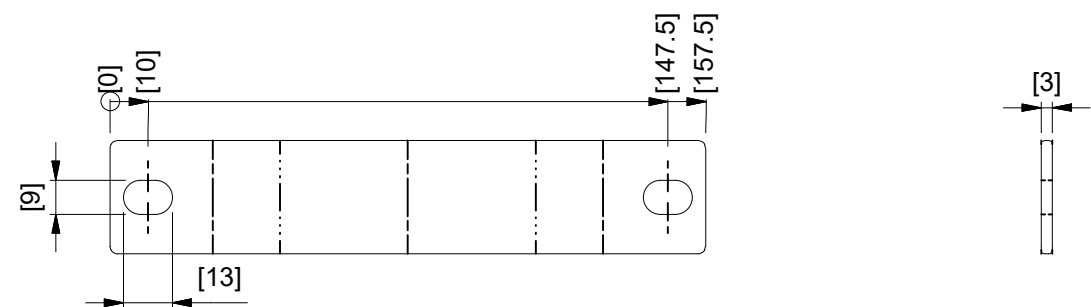
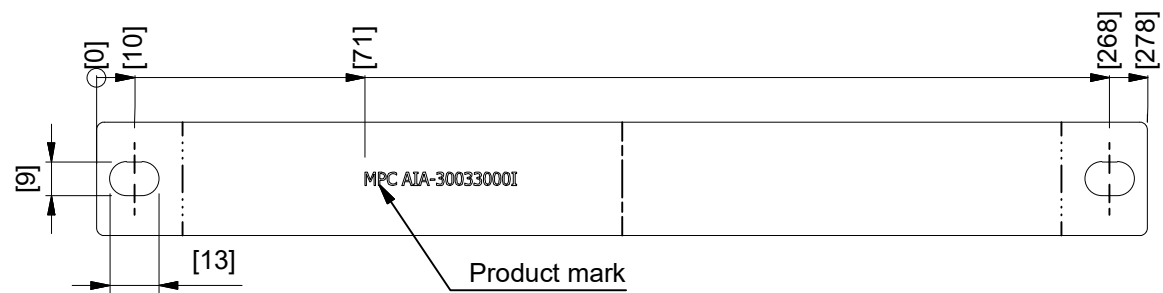
Third angle projection:

Part number:
AIA-30033000I-00

Drawn by: C.P. Dijkstra Creation date: 13/02/2018
Checked by: M. Wiersma Checked date: 14/02/2018
Scale: 1 : 1 Units: Inch [mm]
Status: Released

Description:
MPC Bracket Ø3.38in
Revision:
A
Format:
A3

Rev.	Date	Description	DESIGNER
A	12/04/2018	Changed drawing according to production	C.P. Dijkstra



Product mark: MPC AIA-300330001
 Item number: CAA-508103381

Item	Qty	PART NUMBER	Description	STOCK NUMBER	Material	Length
1	1	AIA-300330001-01	Base	XPLAT30x3	DC01 C390	157.5 mm
2	1	AIA-300330001-02	Clamp part	XPLAT30x3	DC01 C390	278 mm
3	1	AIA-300330001-03	Rubber base	XRUBBER	EPDM Shore 65°±5°	66.2 mm
4	1	AIA-300330001-04	Rubber clamp part	XRUBBER	EPDM Shore 65°±5°	189 mm



© 2017 MPC Clamps Inc, developed and designed by MPC Clamps Inc.

General Tolerances: according to: ISO 2768-vL

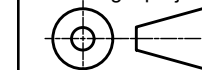
SURFACE TREATMENT AND OR PROTECTION:

Zinc plated
 DIN50961: Fe/Zn 8-12µm

NOTICE TO PERSONS RECEIVING THIS DRAWING AND/OR TECHNICAL INFORMATION:
 MPC Clamps Inc claims proprietary rights to the material disclosed herein. This drawing and/or technical information is issued in confidence for engineering information only and may not be reproduced or used to manufacture anything shown or referred to hereon without direct written permission from MPC Clamps Inc to the user. This drawing and/or technical information is the property of MPC Clamps Inc. and is loaned for mutual assistance to be returned when its purpose has been served.
 THIS DRAWING AND/OR TECHNICAL INFORMATION IS THE PROPERTY OF MPC Clamps Inc.
 DO NOT SCALE FROM DRAWING.

Material: AIA-300330001-00 Mass: 0,340 kg
 Filename: AIA-300330001-00.dwg Sheet: 2 / 6

Third angle projection:



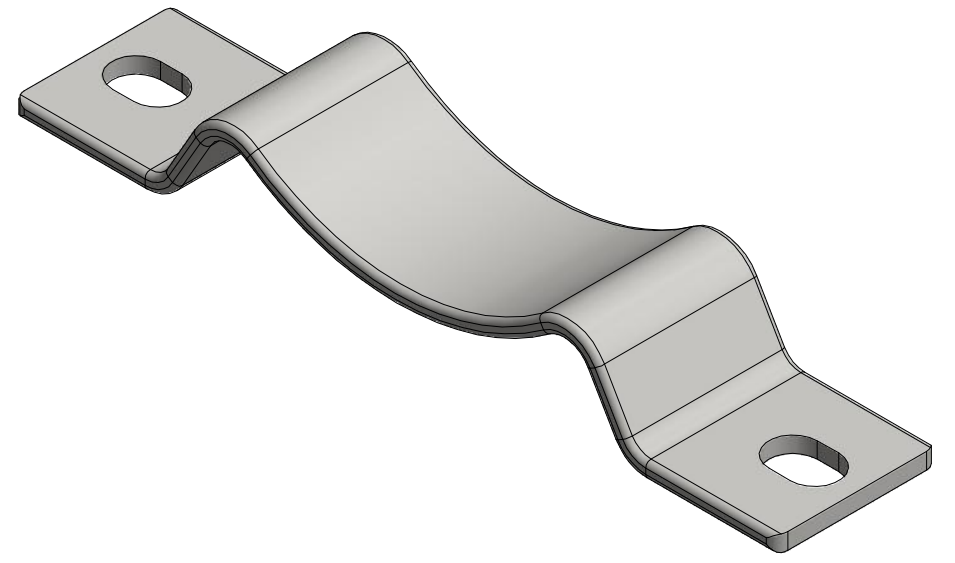
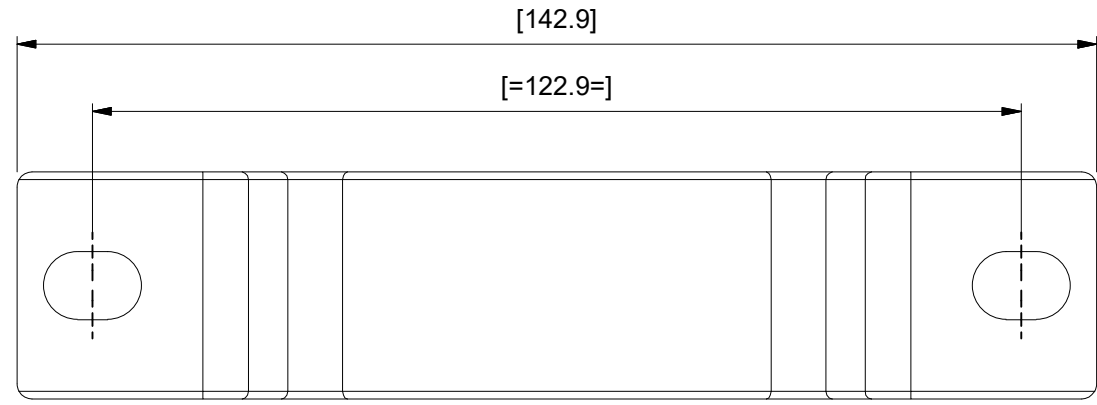
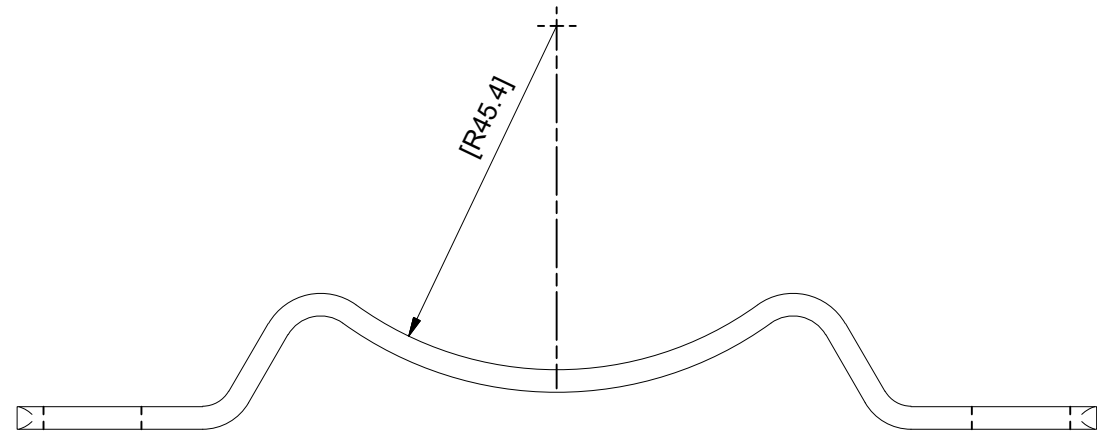
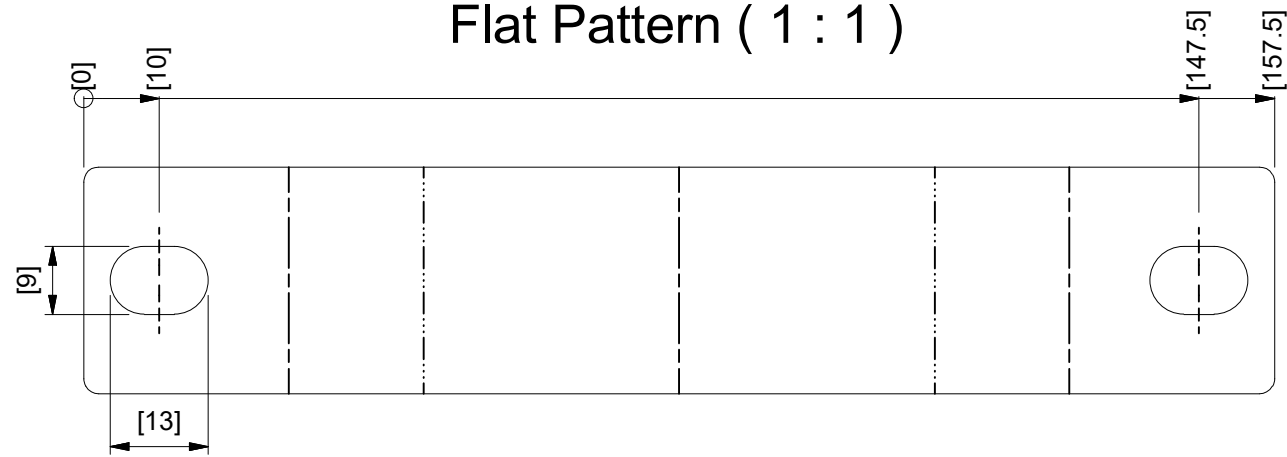
Part number:
AIA-300330001-00


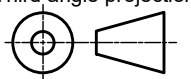
Drawn by: C.P. Dijkstra Creation date: 13/02/2018
 Checked by: M. Wiersma Checked date: 14/02/2018
 Scale: 1 : 2 Units: Inch [mm]
 Status: Released

Description:
 MPC Bracket Ø3.38in
 Revision:
A
 Format:
A3

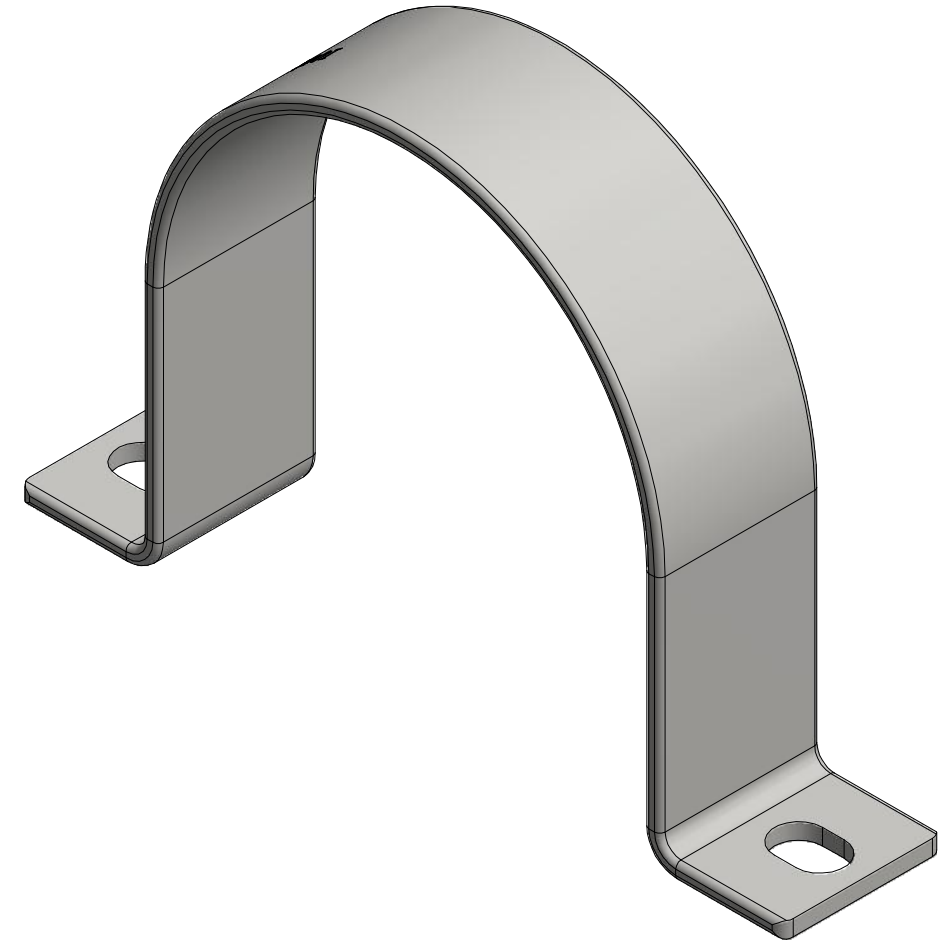
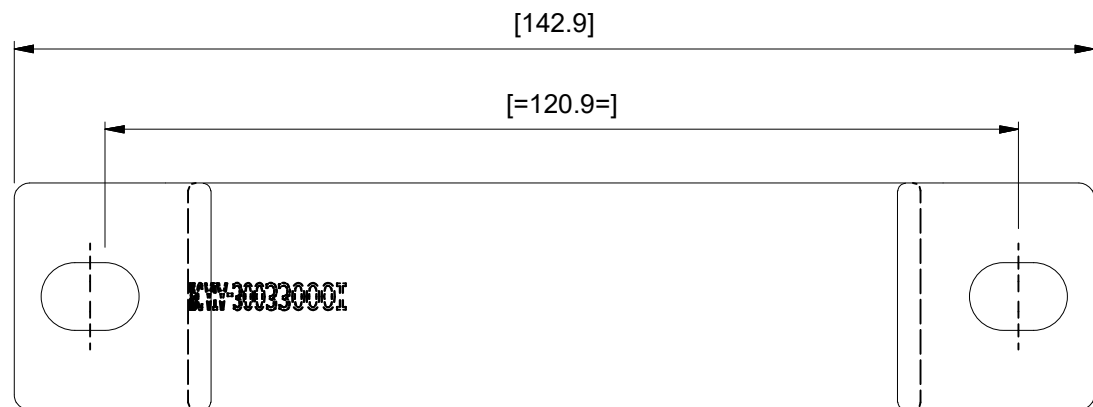
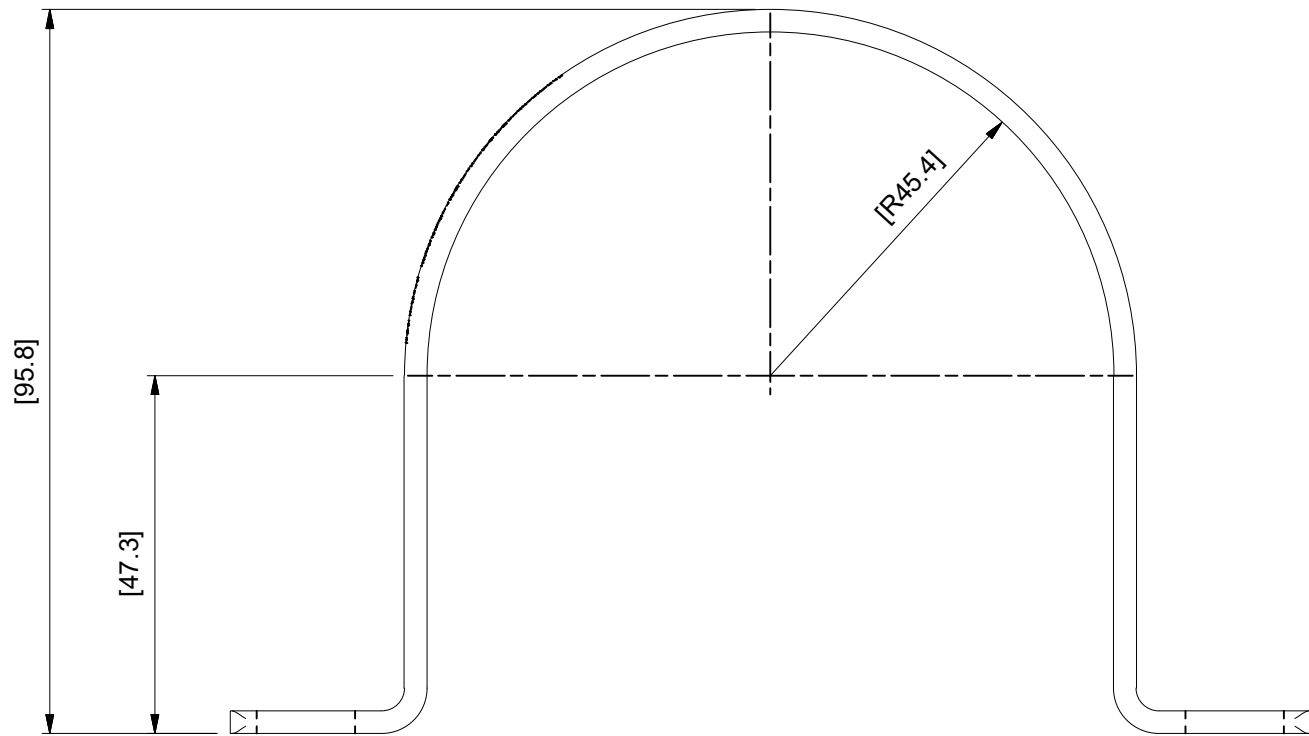
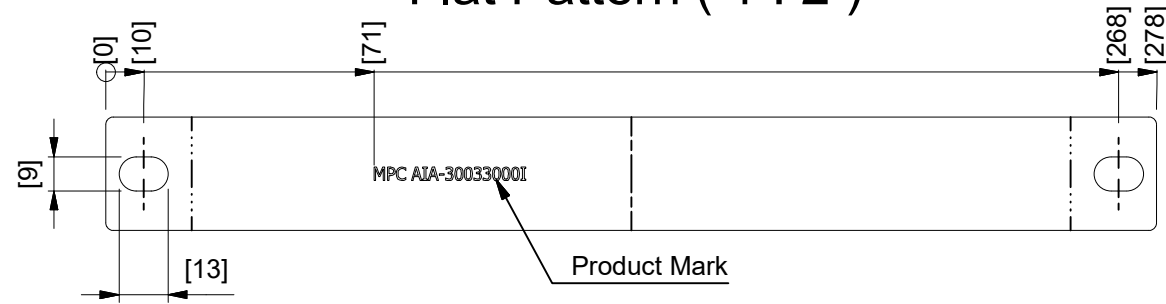
Rev.	Date	Description	DESIGNER
A	12/04/2018	Changed drawing according to production	C.P. Dijkstra

Flat Pattern (1 : 1)



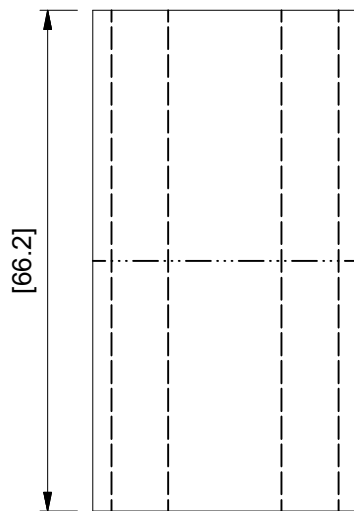
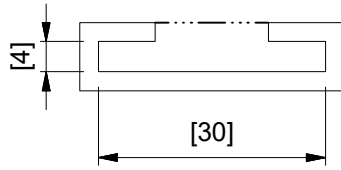
		© 2017 MPC Clamps Inc, developed and designed by MPC Clamps Inc.	
		General Tolerances: according to: ISO 2768-vL	
<small>NOTICE TO PERSONS RECEIVING THIS DRAWING AND/OR TECHNICAL INFORMATION: MPC Clamps Inc claims proprietary rights to the material disclosed hereon. This drawing and/or technical information is issued in confidence for engineering information only and may not be reproduced or used to manufacture anything shown or referred to hereon without direct written permission from MPC Clamps Inc to the user. This drawing and/or technical information is the property of MPC Clamps Inc. and is loaned for mutual assistance to be returned when its purpose has been served. THIS DRAWING AND/OR TECHNICAL INFORMATION IS THE PROPERTY OF MPC Clamps Inc. DO NOT SCALE FROM DRAWING.</small>		SURFACE TREATMENT AND OR PROTECTION: Zinc plated DIN50961: Fe/Zn 8-12µm	
		Material: DC01 C390, XPLAT30x3	Mass: 0,109 kg
		Filename: AIA-30033000I-00.dwg	Sheet: 3 / 6
		Third angle projection: 	Part number: AIA-30033000I-01
Drawn by: C.P. Dijkstra	Creation date: 13/02/2018	Description: Base	Revision: A
Checked by: M. Wiersma	Checked date: 14/02/2018		
Scale: 1 : 1	Units: Inch [mm]		
Status: Released			Format: A3
MPC Clamps, Inc. - 3130 North Fry Road (Suite 500) - Katy, TX 77449 - United States - www.mpc-clamps.com			

Flat Pattern (1 : 2)



Product mark: MPC AIA-30033000I

	© 2017 MPC Clamps Inc, developed and designed by MPC Clamps Inc.		
	General Tolerances: according to: ISO 2768-vL SURFACE TREATMENT AND OR PROTECTION: Zinc plated DIN50961: Fe/Zn 8-12µm		
NOTICE TO PERSONS RECEIVING THIS DRAWING AND/OR TECHNICAL INFORMATION: MPC Clamps Inc claims proprietary rights to the material disclosed herein. This drawing and/or technical information is issued in confidence for engineering information only and may not be reproduced or used to manufacture anything shown or referred to hereon without direct written permission from MPC Clamps Inc to the user. This drawing and/or technical information is the property of MPC Clamps Inc. and is loaned for mutual assistance to be returned when its purpose has been served. THIS DRAWING AND/OR TECHNICAL INFORMATION IS THE PROPERTY OF MPC Clamps Inc. DO NOT SCALE FROM DRAWING.	Material: DC01 C390, XPLAT30x3	Mass: 0,194 kg	
	Filename: AIA-30033000I-00.dwg	Sheet: 4 / 6	
	Third angle projection:	Part number: AIA-30033000I-02	
Drawn by: C.P. Dijkstra Checked by: M. Wiersma Scale: 1 : 1 Status: Released	Creation date: 13/02/2018 Checked date: 14/02/2018 Units: Inch [mm]	Description: Clamp part	Revision: A Format: A3
MPC Clamps, Inc. - 3130 North Fry Road (Suite 500) - Katy, TX 77449 - United States - www.mpc-clamps.com			



© 2017 MPC Clamps Inc, developed and designed by MPC Clamps Inc.

General Tolerances: according to: ISO 2768-vL

SURFACE TREATMENT AND OR PROTECTION:

NOTICE TO PERSONS RECEIVING THIS DRAWING AND/OR TECHNICAL INFORMATION:

MPC Clamps Inc claims proprietary rights to the material disclosed hereon. This drawing and/or technical information is issued in confidence for engineering information only and may not be reproduced or used to manufacture anything shown or referred to hereon without direct written permission from MPC Clamps Inc to the user. This drawing and/or technical information is the property of MPC Clamps Inc. and is loaned for mutual assistance to be returned when its purpose has been served.

THIS DRAWING AND/OR TECHNICAL INFORMATION IS THE PROPERTY OF MPC Clamps Inc.

DO NOT SCALE FROM DRAWING.

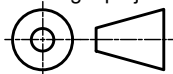
Material: EPDM Shore 65°±5°, XRUBBER

Mass: 0,010 kg

Filename: AIA-30033000I-00.dwg

Sheet: 5 / 6

Third angle projection:



Part number:

AIA-30033000I-03

Drawn by: C.P. Dijkstra

Creation date: 13/02/2018

Checked by: M. Wiersma

Checked date: 14/02/2018

Scale: 1 : 1

Units: Inch [mm]

Status: Released

Description:

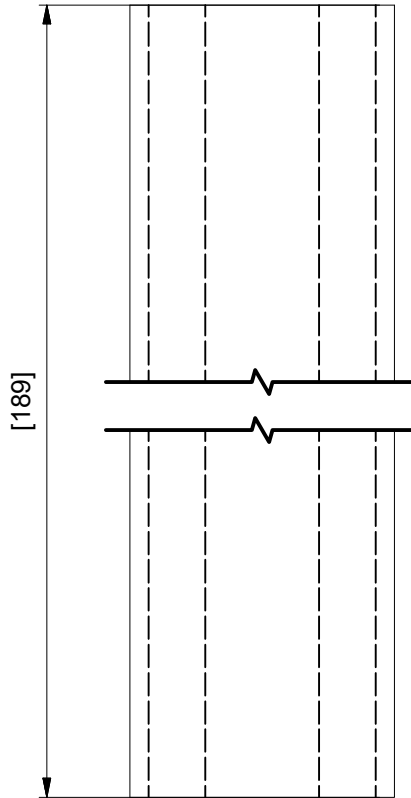
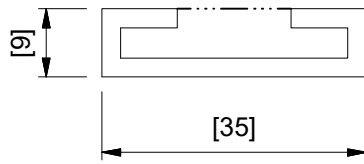
Rubber base

Revision:

A

Format:

A4



© 2017 MPC Clamps Inc, developed and designed by MPC Clamps Inc.

General Tolerances: according to: ISO 2768-vL

SURFACE TREATMENT AND OR PROTECTION:

NOTICE TO PERSONS RECEIVING THIS DRAWING AND/OR TECHNICAL INFORMATION:

MPC Clamps Inc claims proprietary rights to the material disclosed hereon. This drawing and/or technical information is issued in confidence for engineering information only and may not be reproduced or used to manufacture anything shown or referred to hereon without direct written permission from MPC Clamps Inc to the user. This drawing and/or technical information is the property of MPC Clamps Inc. and is loaned for mutual assistance to be returned when its purpose has been served.

THIS DRAWING AND/OR TECHNICAL INFORMATION IS THE PROPERTY OF MPC Clamps Inc.

DO NOT SCALE FROM DRAWING.

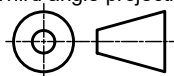
Material: EPDM Shore 65°±5°, XRUBBER

Mass: 0,027 kg

Filename: AIA-300330001-00.dwg

Sheet: 6 / 6

Third angle projection:



Part number:

AIA-300330001-04

Description:
Rubber clamp part

Revision:

A

Format:

A4

Drawn by: C.P. Dijkstra

Creation date: 13/02/2018

Checked by: M. Wiersma

Checked date: 14/02/2018

Scale: 1 : 1

Units: Inch [mm]

Status: Released