

Item number: CAA-31875475I

Item	Qty	PART NUMBER	Description	STOCK NUMBER	Material	Length
1	1	AIA-30047000I-01	Base	XPLAT30x3	DC01 C390	204.5 mm
2	1	AIA-30047000I-02	Clamp part	XPLAT30x3	DC01 C390	372 mm
3	1	AIA-30047000I-03	Rubber base	XRUBBER	EPDM Shore 65°±5°	90.5 mm
4	1	AIA-30047000I-04	Rubber clamp part	XRUBBER	EPDM Shore 65°±5°	254 mm



© 2017 MPC Clamps Inc, developed and designed by MPC Clamps Inc.

General Tolerances: according to: ISO 2768-vL

SURFACE TREATMENT AND OR PROTECTION:

Zinc plated

DIN50961: Fe/Zn 8-12µm

NOTICE TO PERSONS RECEIVING THIS DRAWING AND/OR TECHNICAL INFORMATION:
MPC Clamps Inc claims proprietary rights to the material disclosed herein. This drawing and/or technical information is issued in confidence for engineering information only and may not be reproduced or used to manufacture anything shown or referred to hereon without direct written permission from MPC Clamps Inc to the user. This drawing and/or technical information is the property of MPC Clamps Inc. and is loaned for mutual assistance to be returned when its purpose has been served.
THIS DRAWING AND/OR TECHNICAL INFORMATION IS THE PROPERTY OF MPC Clamps Inc.
DO NOT SCALE FROM DRAWING.

Material: AIA-30047000I-00 Mass: 0,447 kg
Filename: AIA-30047000I-00.dwg Sheet: 1 / 6

Third angle projection:

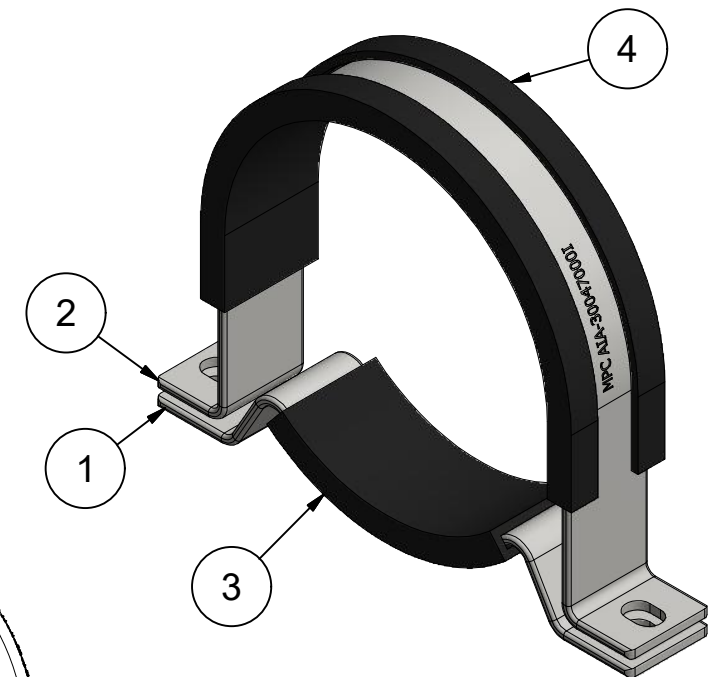
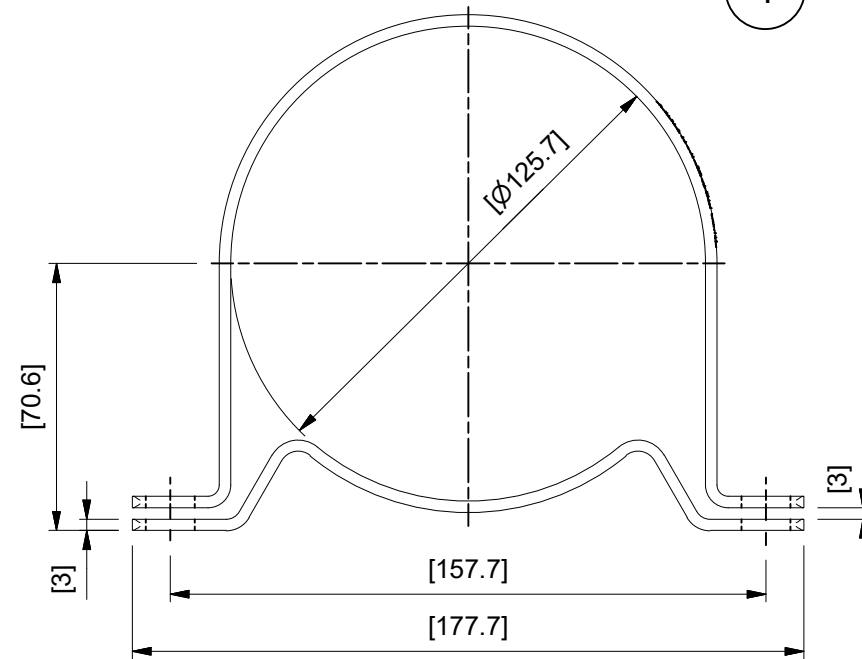
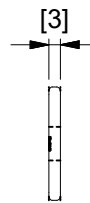
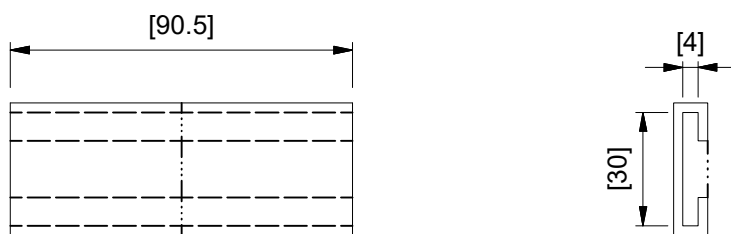
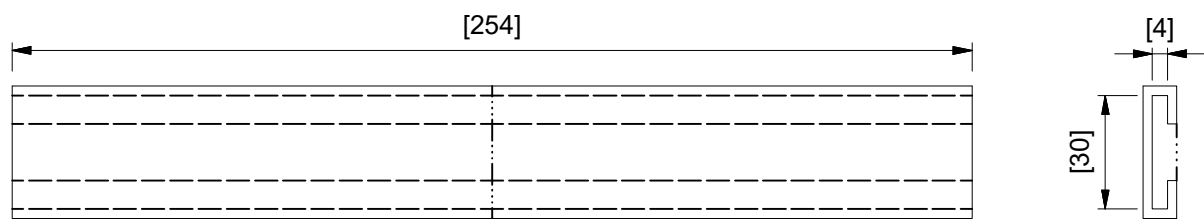
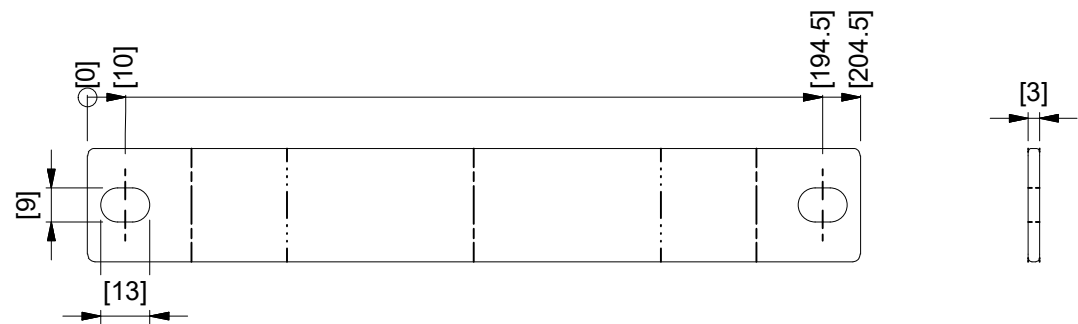
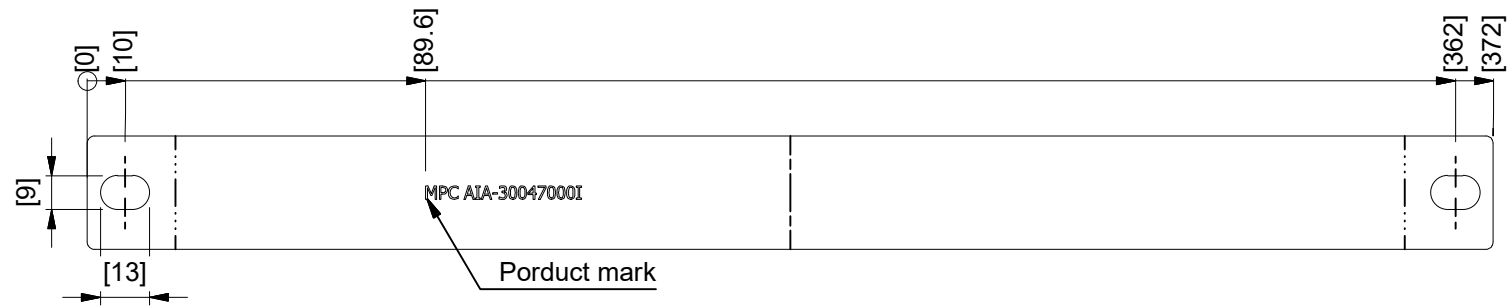


Part number:
AIA-30047000I-00

Drawn by: C.P. Dijkstra Creation date: 13/02/2018
Checked by: M. Wiersma Checked date: 14/02/2018
Scale: 1 : 2 Units: Inch [mm]
Status: Released

Description:
MPC Bracket Ø4.75in
Revision:
A
Format:
A3

Rev.	Date	Description	DESIGNER
A	12/04/2018	Changed drawing according to production	C.P. Dijkstra
Revision history			



Product mark: MPC AIA-30047000I
 Item number: CAA-31875475I

Item	Qty	PART NUMBER	Description	STOCK NUMBER	Material	Length
1	1	AIA-30047000I-01	Base	XPLAT30x3	DC01 C390	204.5 mm
2	1	AIA-30047000I-02	Clamp part	XPLAT30x3	DC01 C390	372 mm
3	1	AIA-30047000I-03	Rubber base	XRUBBER	EPDM Shore 65°±5°	90.5 mm
4	1	AIA-30047000I-04	Rubber clamp part	XRUBBER	EPDM Shore 65°±5°	254 mm



© 2017 MPC Clamps Inc, developed and designed by MPC Clamps Inc.

General Tolerances: according to: ISO 2768-vL

SURFACE TREATMENT AND OR PROTECTION:

Zinc plated
 DIN50961: Fe/Zn 8-12µm

NOTICE TO PERSONS RECEIVING THIS DRAWING AND/OR TECHNICAL INFORMATION:
 MPC Clamps Inc claims proprietary rights to the material disclosed herein. This drawing and/or technical information is issued in confidence for engineering information only and may not be reproduced or used to manufacture anything shown or referred to herein without direct written permission from MPC Clamps Inc to the user. This drawing and/or technical information is the property of MPC Clamps Inc. and is loaned for mutual assistance to be returned when its purpose has been served.
 THIS DRAWING AND/OR TECHNICAL INFORMATION IS THE PROPERTY OF MPC Clamps Inc.
 DO NOT SCALE FROM DRAWING.

Material: AIA-30047000I-00 Mass: 0,447 kg
 Filename: AIA-30047000I-00.dwg Sheet: 2 / 6

Third angle projection:

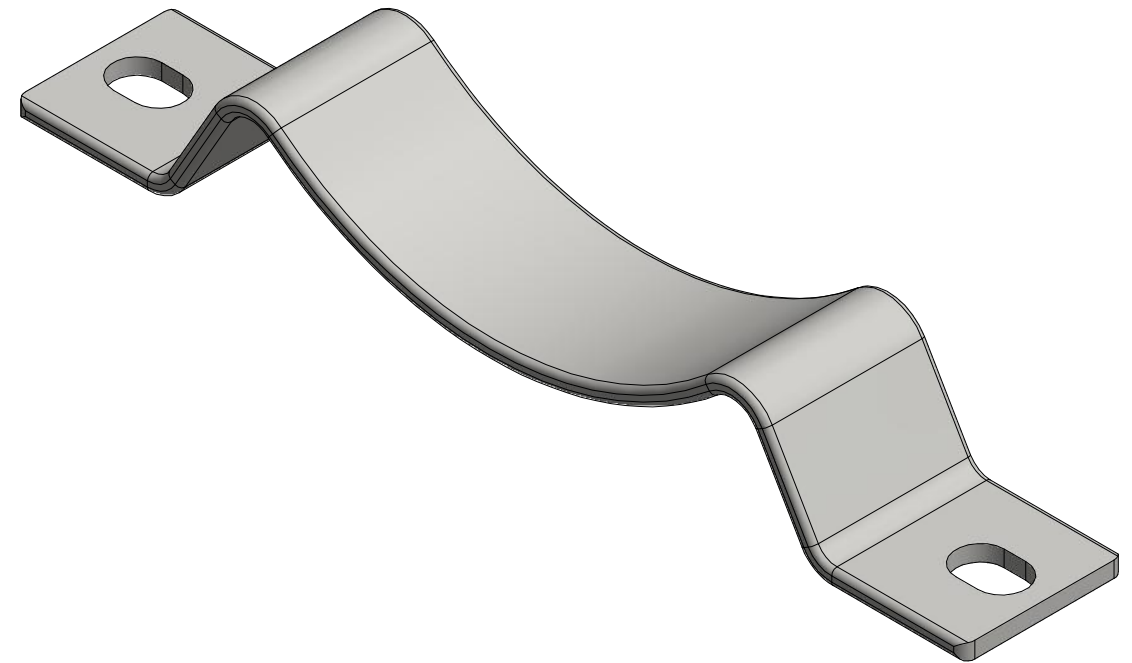
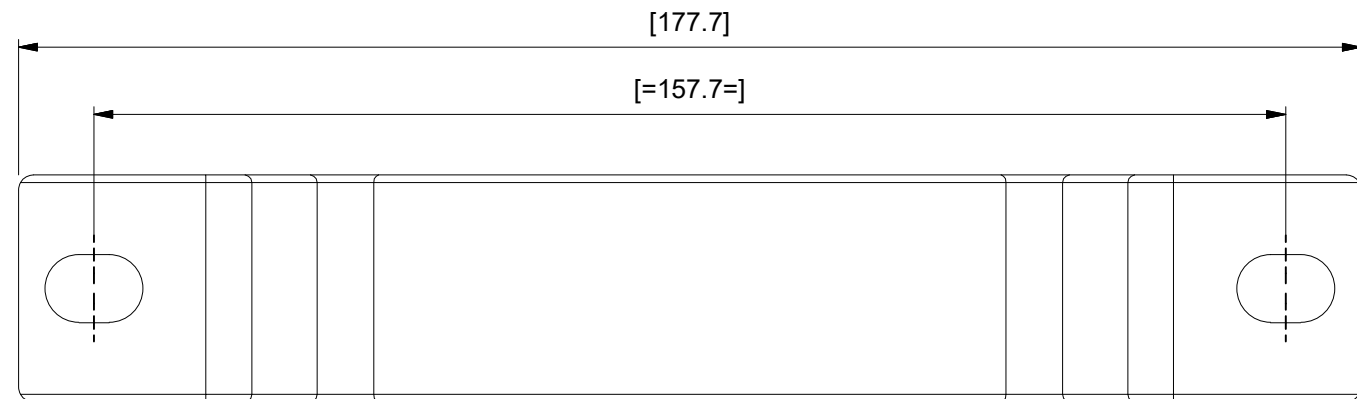
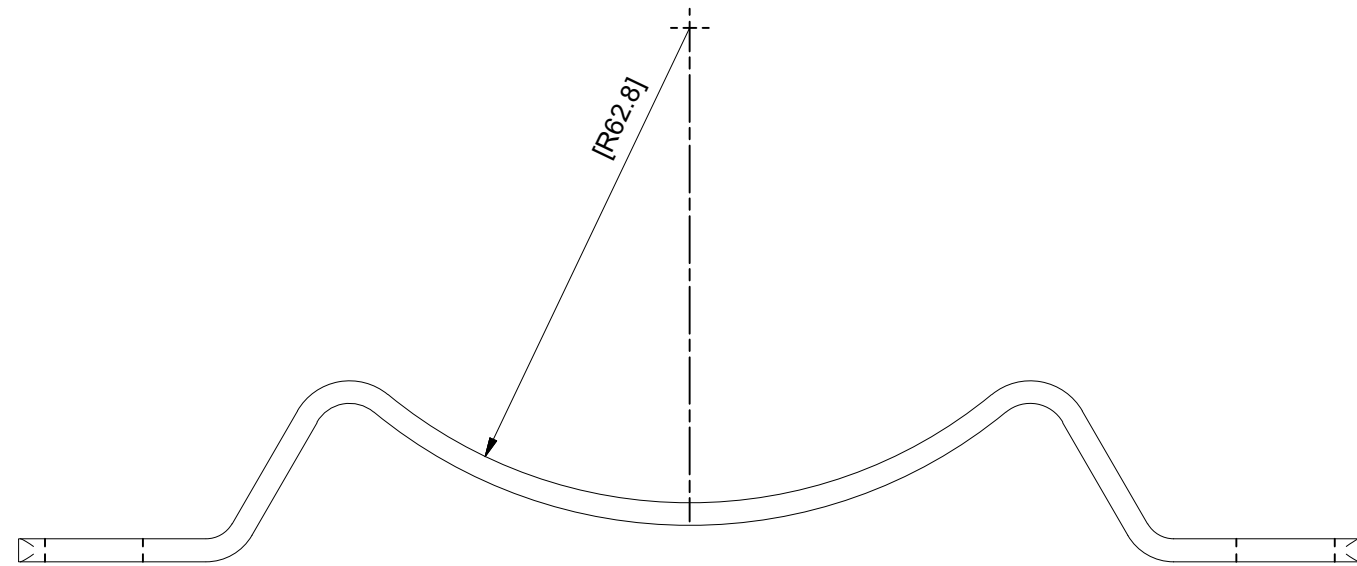
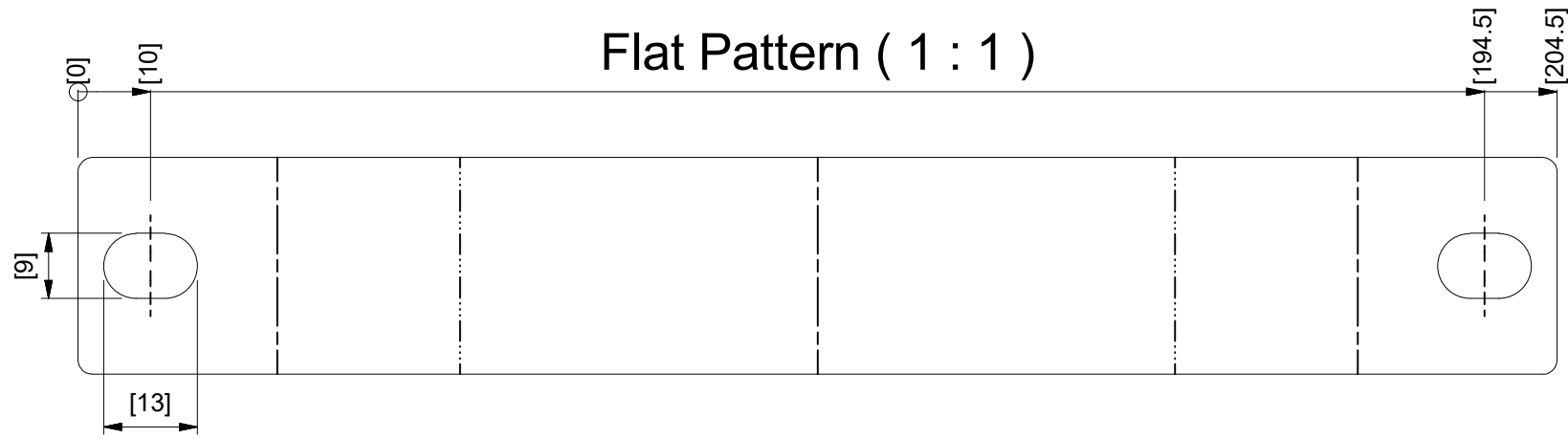
Part number:
AIA-30047000I-00

Drawn by: C.P. Dijkstra Creation date: 13/02/2018
 Checked by: M. Wiersma Checked date: 14/02/2018
 Scale: 1 : 2 Units: Inch [mm]
 Status: Released

Description:
 MPC Bracket Ø4.75in
 Revision:
A
 Format:
A3

Rev.	Date	Description	DESIGNER
A	12/04/2018	Changed drawing according to production	C.P. Dijkstra

Flat Pattern (1 : 1)



© 2017 MPC Clamps Inc, developed and designed by MPC Clamps Inc.

General Tolerances: according to: ISO 2768-vL

SURFACE TREATMENT AND OR PROTECTION:

Zinc plated

DIN50961: Fe/Zn 8-12µm

NOTICE TO PERSONS RECEIVING THIS DRAWING AND/OR TECHNICAL INFORMATION:
MPC Clamps Inc claims proprietary rights to the material disclosed herein. This drawing and/or technical information is issued in confidence for engineering information only and may not be reproduced or used to manufacture anything shown or referred to herein without direct written permission from MPC Clamps Inc to the user. This drawing and/or technical information is the property of MPC Clamps Inc. and is loaned for mutual assistance to be returned when its purpose has been served.
THIS DRAWING AND/OR TECHNICAL INFORMATION IS THE PROPERTY OF MPC Clamps Inc.
DO NOT SCALE FROM DRAWING.

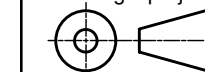
Material: DC01 C390, XPLAT30x3

Mass: 0,140 kg

Filename: AIA-30047000I-00.dwg

Sheet: 3 / 6

Third angle projection:



Part number:

AIA-30047000I-01

Drawn by: C.P. Dijkstra

Creation date: 13/02/2018

Checked by: M. Wiersma

Checked date: 14/02/2018

Scale: 1 : 1

Units: Inch [mm]

Status: Released

Description:

Base

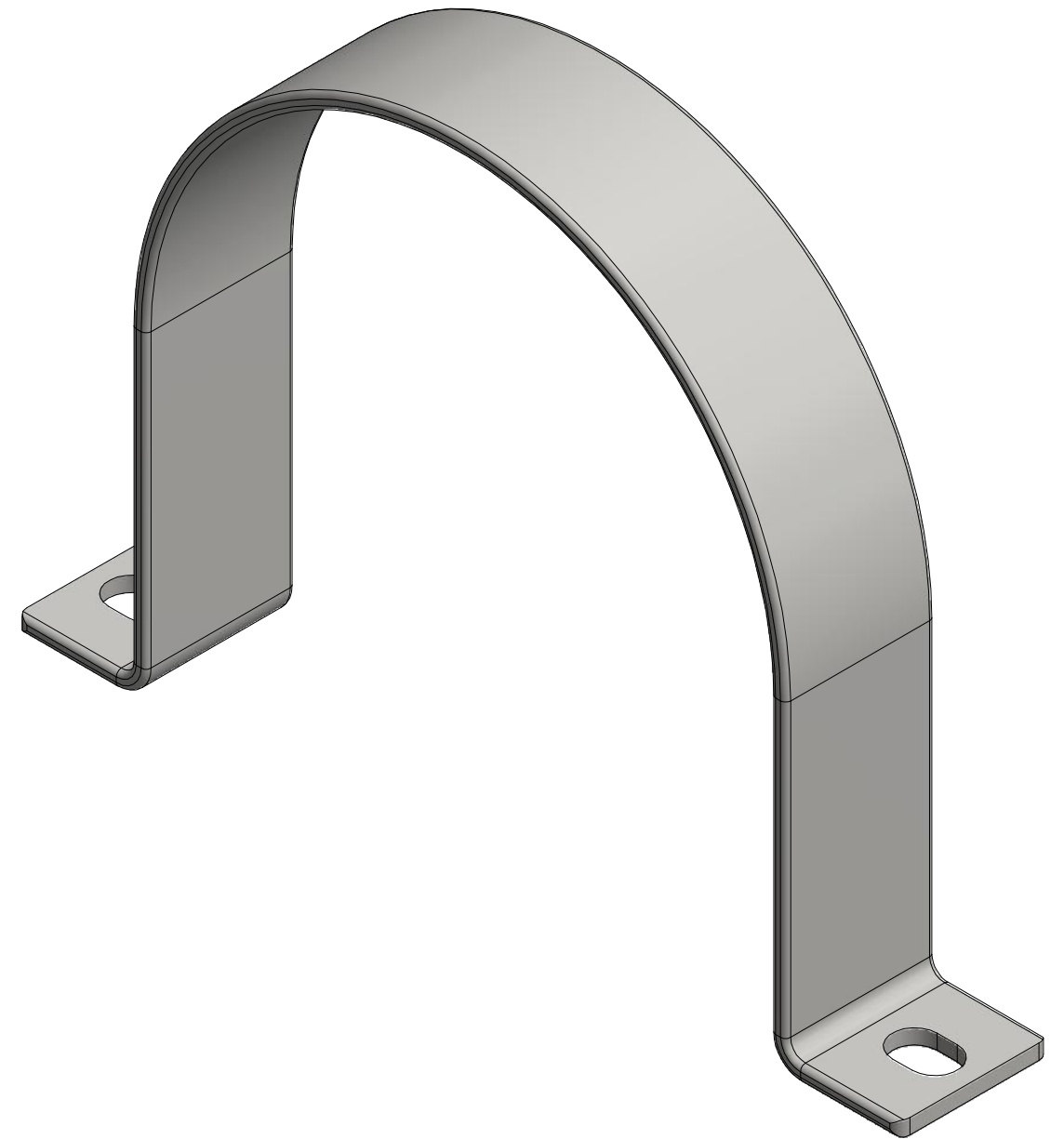
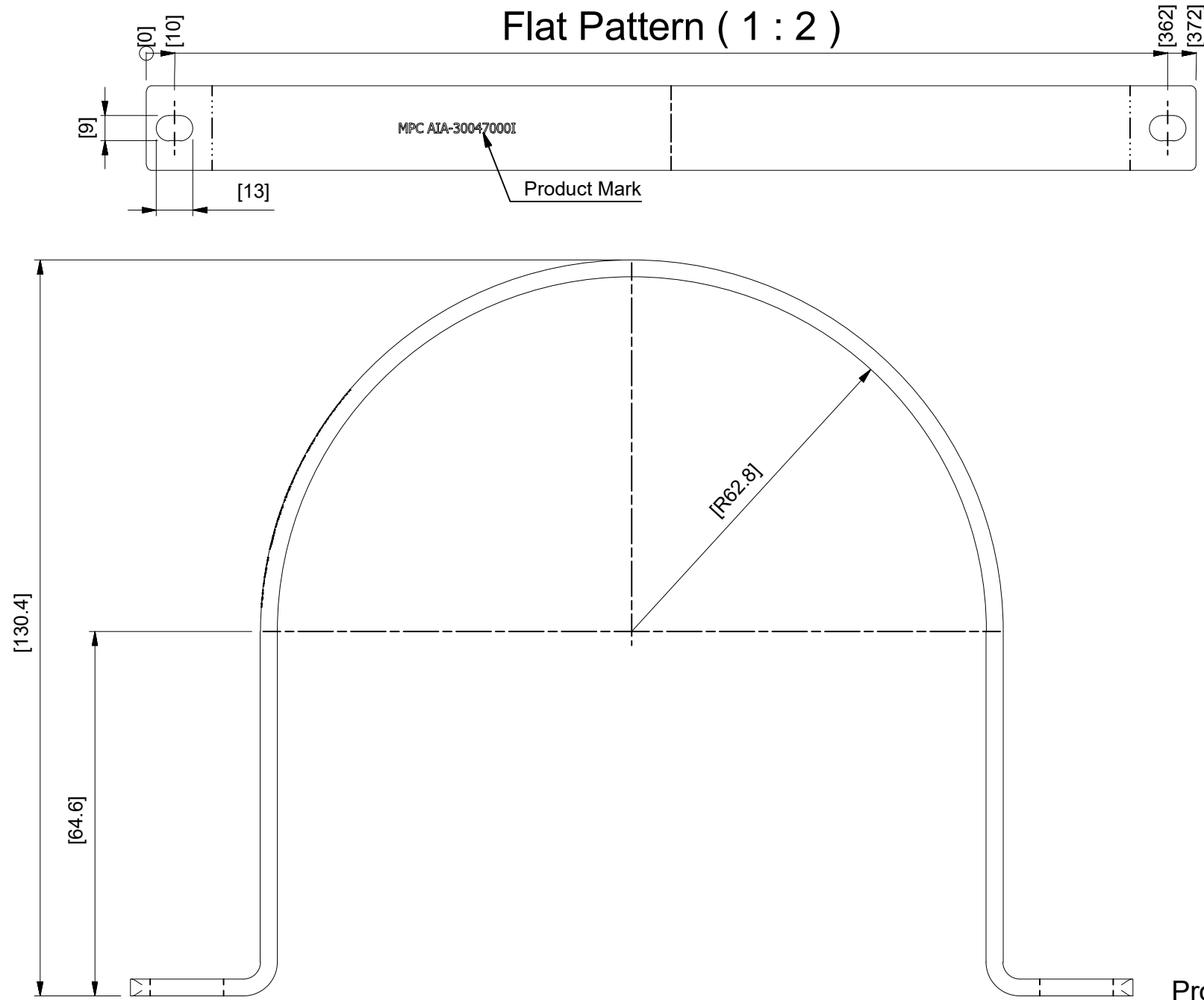
Revision:

A

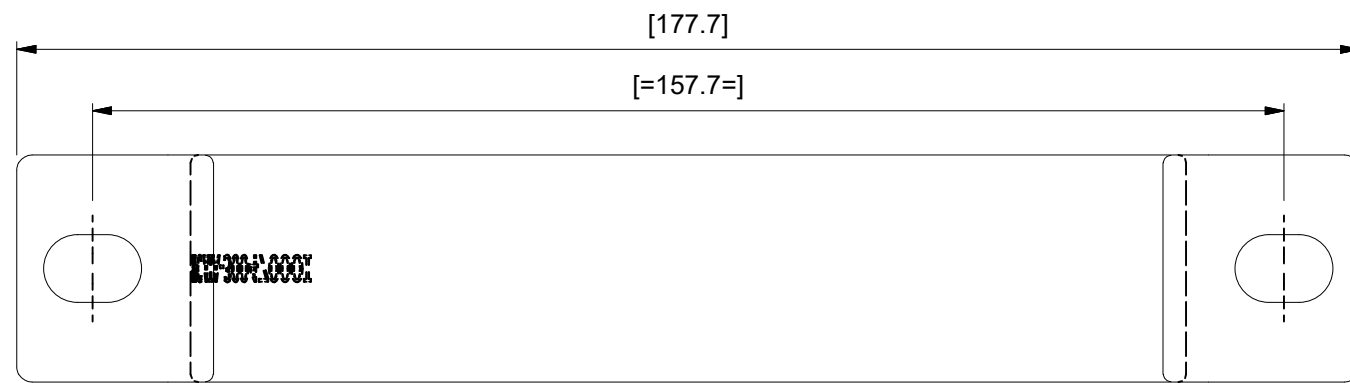
Format:


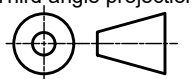
A3

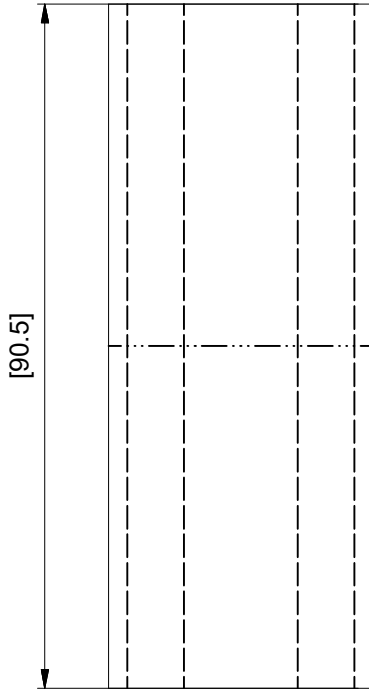
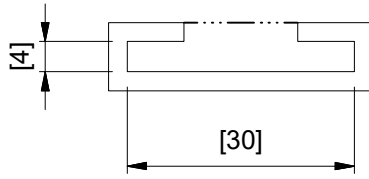
Flat Pattern (1 : 2)



Product mark: MPC AIA-300470001



		© 2017 MPC Clamps Inc, developed and designed by MPC Clamps Inc.	
		General Tolerances: according to: ISO 2768-vL	
<small>NOTICE TO PERSONS RECEIVING THIS DRAWING AND/OR TECHNICAL INFORMATION: MPC Clamps Inc claims proprietary rights to the material disclosed herein. This drawing and/or technical information is issued in confidence for engineering information only and may not be reproduced or used to manufacture anything shown or referred to hereon without direct written permission from MPC Clamps Inc to the user. This drawing and/or technical information is the property of MPC Clamps Inc. and is loaned for mutual assistance to be returned when its purpose has been served. THIS DRAWING AND/OR TECHNICAL INFORMATION IS THE PROPERTY OF MPC Clamps Inc. DO NOT SCALE FROM DRAWING.</small>		SURFACE TREATMENT AND OR PROTECTION: Zinc plated DIN50961: Fe/Zn 8-12µm	
		Material: DC01 C390, XPLAT30x3	Mass: 0,257 kg
Filename: AIA-300470001-00.dwg		Sheet: 4 / 6	
Third angle projection: 		Part number: AIA-300470001-02	
Drawn by: C.P. Dijkstra	Creation date: 13/02/2018	Description: Clamp part	Revision: A
Checked by: M. Wiersma	Checked date: 14/02/2018		
Scale: 1 : 1	Units: Inch [mm]	Format: A3	
Status: Released			
MPC Clamps, Inc. - 3130 North Fry Road (Suite 500) - Katy, TX 77449 - United States - www.mpc-clamps.com			



© 2017 MPC Clamps Inc, developed and designed by MPC Clamps Inc.

General Tolerances: according to: ISO 2768-vL

SURFACE TREATMENT AND OR PROTECTION:

NOTICE TO PERSONS RECEIVING THIS DRAWING AND/OR TECHNICAL INFORMATION:

MPC Clamps Inc claims proprietary rights to the material disclosed hereon. This drawing and/or technical information is issued in confidence for engineering information only and may not be reproduced or used to manufacture anything shown or referred to hereon without direct written permission from MPC Clamps Inc to the user. This drawing and/or technical information is the property of MPC Clamps Inc. and is loaned for mutual assistance to be returned when its purpose has been served.

THIS DRAWING AND/OR TECHNICAL INFORMATION IS THE PROPERTY OF MPC Clamps Inc.

DO NOT SCALE FROM DRAWING.

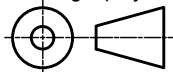
Material: EPDM Shore 65°±5°, XRUBBER

Mass: 0,013 kg

Filename: AIA-30047000I-00.dwg

Sheet: 5 / 6

Third angle projection:



Part number:

AIA-30047000I-03

Description:
Rubber base

Revision:

A

Format:

A4

Drawn by: C.P. Dijkstra

Creation date: 13/02/2018

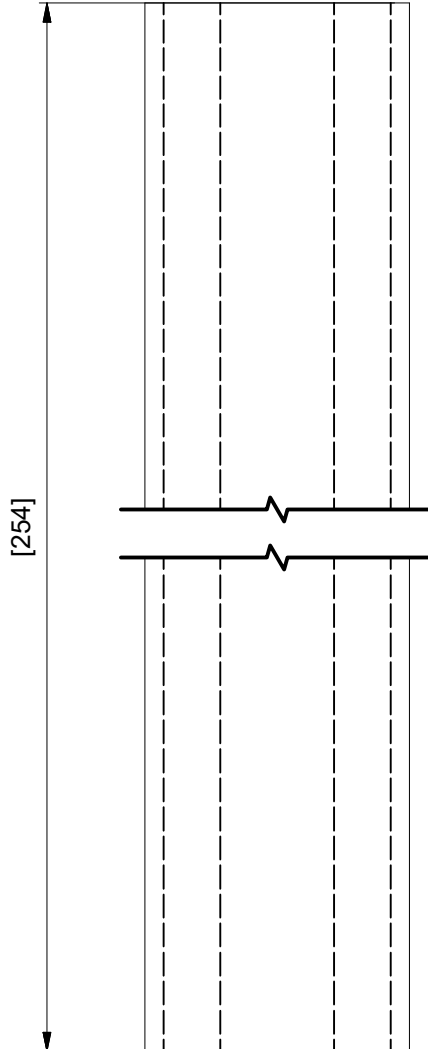
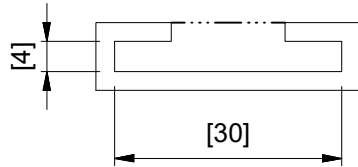
Checked by: M. Wiersma

Checked date: 14/02/2018

Scale: 1 : 1

Units: Inch [mm]

Status: Released



© 2017 MPC Clamps Inc, developed and designed by MPC Clamps Inc.

General Tolerances: according to: ISO 2768-vL

SURFACE TREATMENT AND OR PROTECTION:

NOTICE TO PERSONS RECEIVING THIS DRAWING AND/OR TECHNICAL INFORMATION:

MPC Clamps Inc claims proprietary rights to the material disclosed hereon. This drawing and/or technical information is issued in confidence for engineering information only and may not be reproduced or used to manufacture anything shown or referred to hereon without direct written permission from MPC Clamps Inc to the user. This drawing and/or technical information is the property of MPC Clamps Inc. and is loaned for mutual assistance to be returned when its purpose has been served.

THIS DRAWING AND/OR TECHNICAL INFORMATION IS THE PROPERTY OF MPC Clamps Inc.

DO NOT SCALE FROM DRAWING.

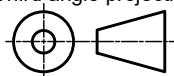
Material: EPDM Shore 65°±5°, XRUBBER

Mass: 0,037 kg

Filename: AIA-300470001-00.dwg

Sheet: 6 / 6

Third angle projection:



Part number:

AIA-300470001-04

Description:
Rubber clamp part

Revision:

A

Format:

A4

Drawn by: C.P. Dijkstra

Creation date: 13/02/2018

Checked by: M. Wiersma

Checked date: 14/02/2018

Scale: 1 : 1

Units: Inch [mm]

Status: Released