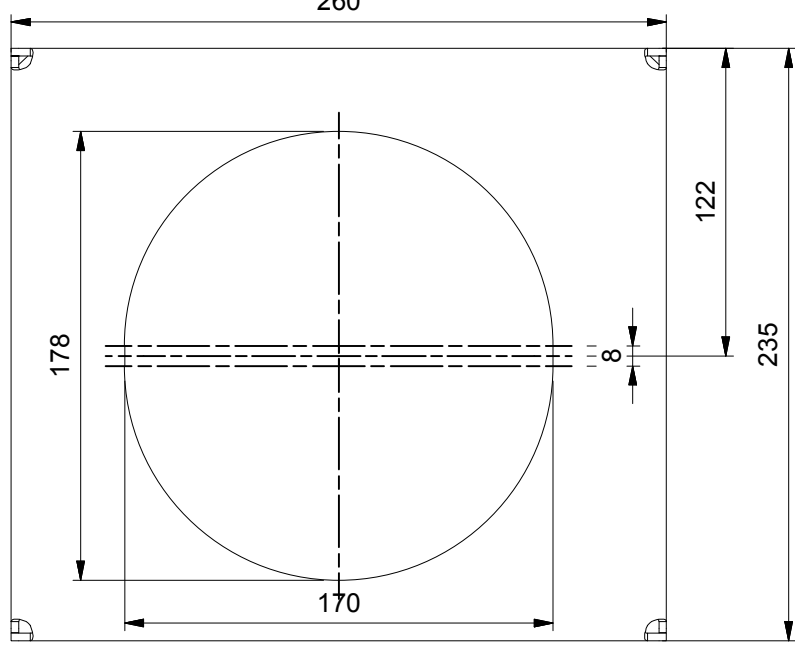
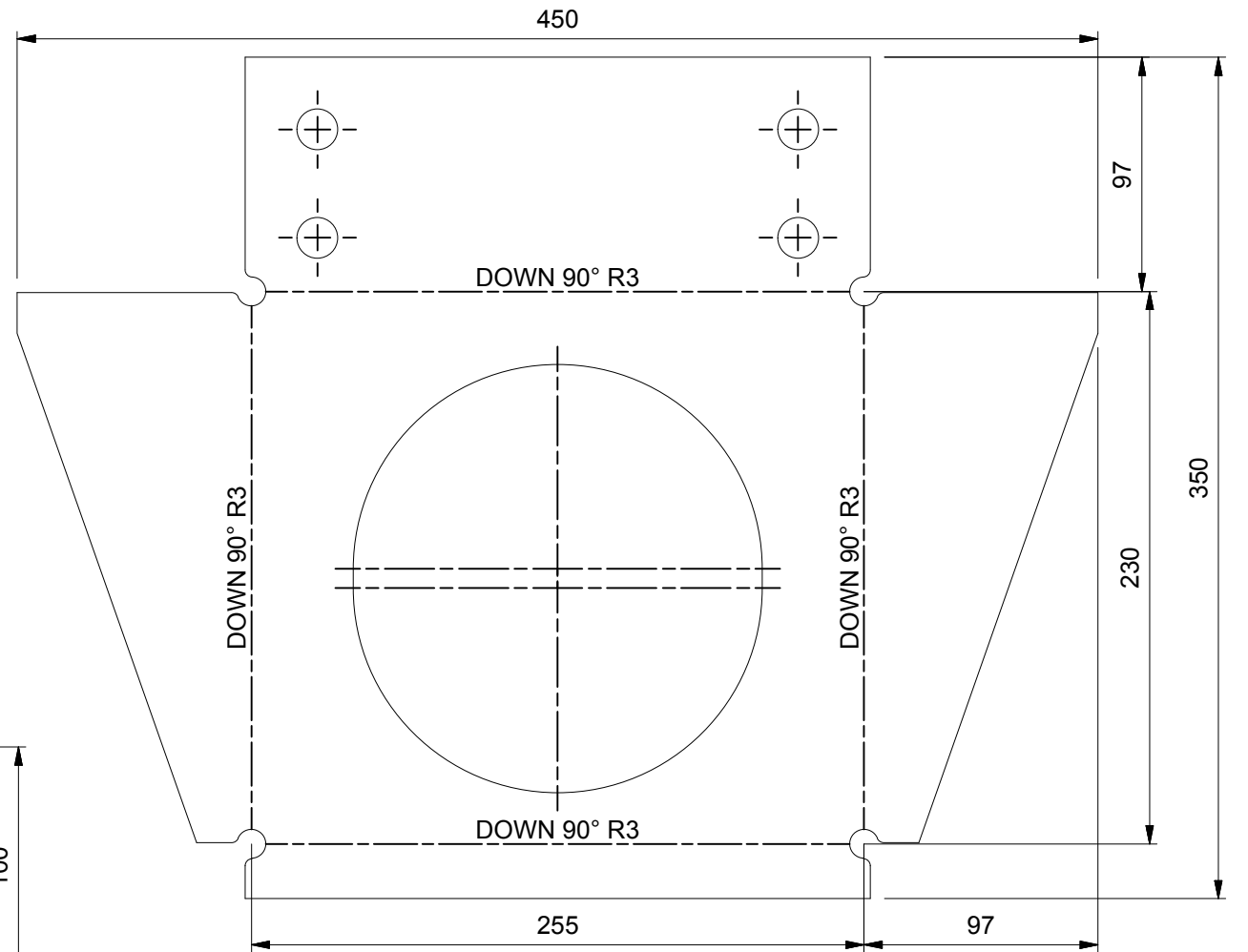


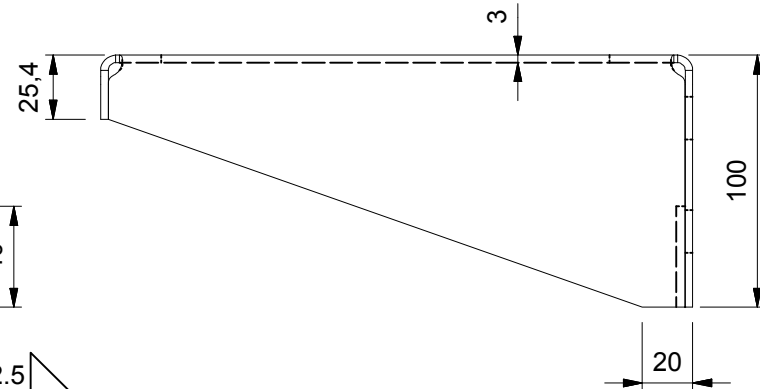
Top view ( 1 : 3 )



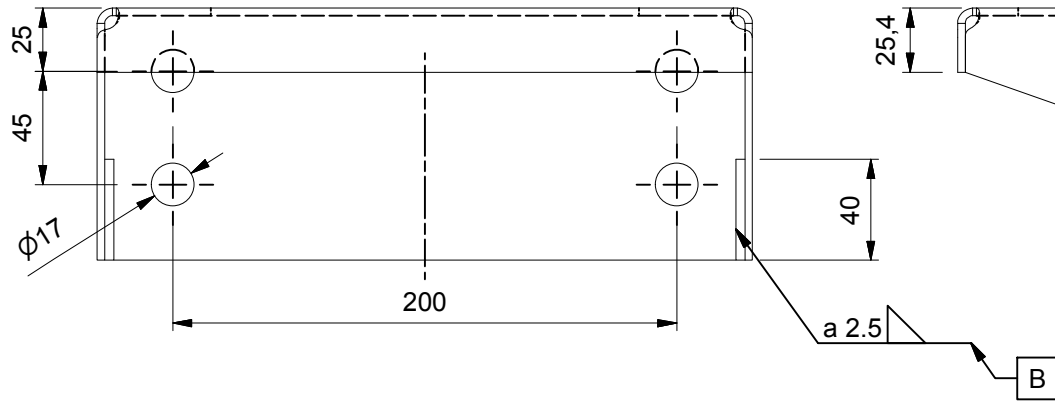
Flat pattern ( 1 : 3 )



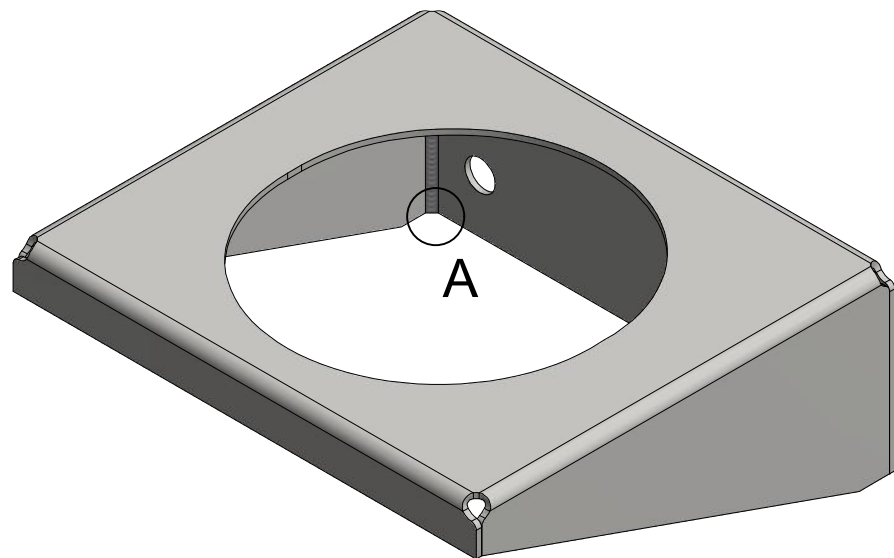
Side view ( 1 : 3 )



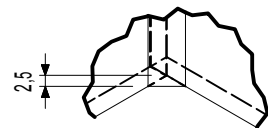
Front view ( 1 : 3 )




Iso view ( 1 : 3 )



A ( 1 : 1 )



Revision history			
Rev.	Date	Description	DESIGNER
A	19-9-2017	Checked drawing and set as "released"	M. Wiersma
B	5-10-2017	Changed welding symbol note	M. Wiersma

		© 2017 MPC INDUSTRIES BV, developed and designed by MPC INDUSTRIES BV	
General Tolerances: according to: DIN 2768-VL		SURFACE TREATMENT AND OR PROTECTION: FE/Z/12/A According to DIN 50961	
Material: S235JR		Mass: 2,202 kg	
Doc no.: B-1L.dwg		Part number: <b>B-1L</b>	
Drawn by: Gy.Kardos		Creation date: 17-3-2017	
Checked by: M. Wiersma		Checked date: 18-9-2017	
Scale 1:3		Units: mm	
Status: Released		Description: MPC Industries, Suport Bracket B-1L	
		Revision: <b>B</b>	
		Format: <b>A3</b>	

NOTICE TO PERSONS RECEIVING THIS DRAWING AND/OR TECHNICAL INFORMATION:  
 MPC Industries BV claims proprietary rights to the material disclosed herein. This drawing and/or technical information is issued in confidence for engineering information only and may not be reproduced or used to manufacture anything shown or referred to hereon without direct written permission from MPC Industries BV to the user. This drawing and/or technical information is the property of MPC Industries BV and is loaned for mutual assistance to be returned when its purpose has been served.  
 THIS DRAWING AND/OR TECHNICAL INFORMATION IS THE PROPERTY OF MPC INDUSTRIES BV.  
 DO NOT SCALE FROM DRAWING.

MPC Industries B. V. Badweg 38 8401 BL Gorredijk Postbus 225 8400 AE Gorredijk. Tel.: . 0513 465477 Fax.: 0513 465736