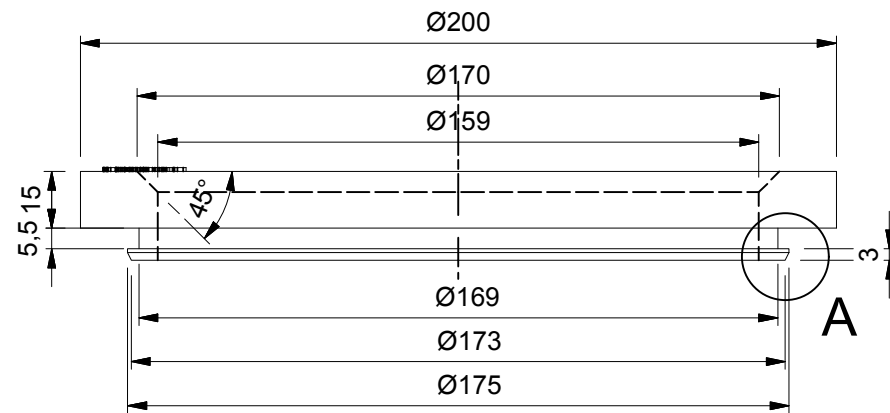
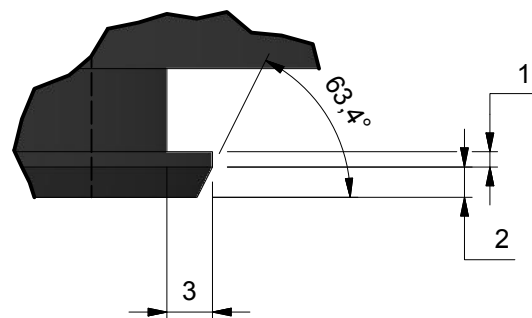


VIEW1 ( 1 : 2 )



A ( 2 : 1 )


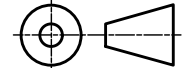


Iso view ( 1 : 2 )



Revision history			
Rev.	Date	Description	DESIGNER
A	18-9-2017	deleted the grip part, and set checked by and released	M. Wiersma
B	8-11-2017	Added Brand marking	M. Wiersma
C	25-4-2018	Added Detailed view with dimensions	M. Wiersma

		© 2017 MPC INDUSTRIES BV, developed and designed by MPC INDUSTRIES BV	
General Tolerances: according to: DIN 2768-vL		SURFACE TREATMENT AND OR PROTECTION:	
<small>NOTICE TO PERSONS RECEIVING THIS DRAWING AND/OR TECHNICAL INFORMATION: MPC Industries BV claims proprietary rights to the material disclosed hereon. This drawing and/or technical information is issued in confidence for engineering information only and may not be reproduced or used to manufacture anything shown or referred to hereon without direct written permission from MPC Industries BV to the user. This drawing and/or technical information is the property of MPC Industries BV and is loaned for mutual assistance to be returned when its purpose has been served. THIS DRAWING AND/OR TECHNICAL INFORMATION IS THE PROPERTY OF MPC INDUSTRIES BV</small>		Material: NBR 80° Shore ±5°	Mass: 0,179 kg
DO NOT SCALE FROM DRAWING.		Doc no.: R-1Lx.dwg	Part number: <b>R-1Lx</b>
Third angle projection:			Description: MPC Industries, Support Ring for Support Bracket L. NBR 80° Shore ±5°, black
Drawn by: Gy.Kardos	Creation date: 21-3-2017	Revision: <b>C</b>	
Checked by: M. Wiersma	Checked date: 18-9-2017	Format: <b>A3</b>	
Scale 1:2	Units: mm		
Status: Released			