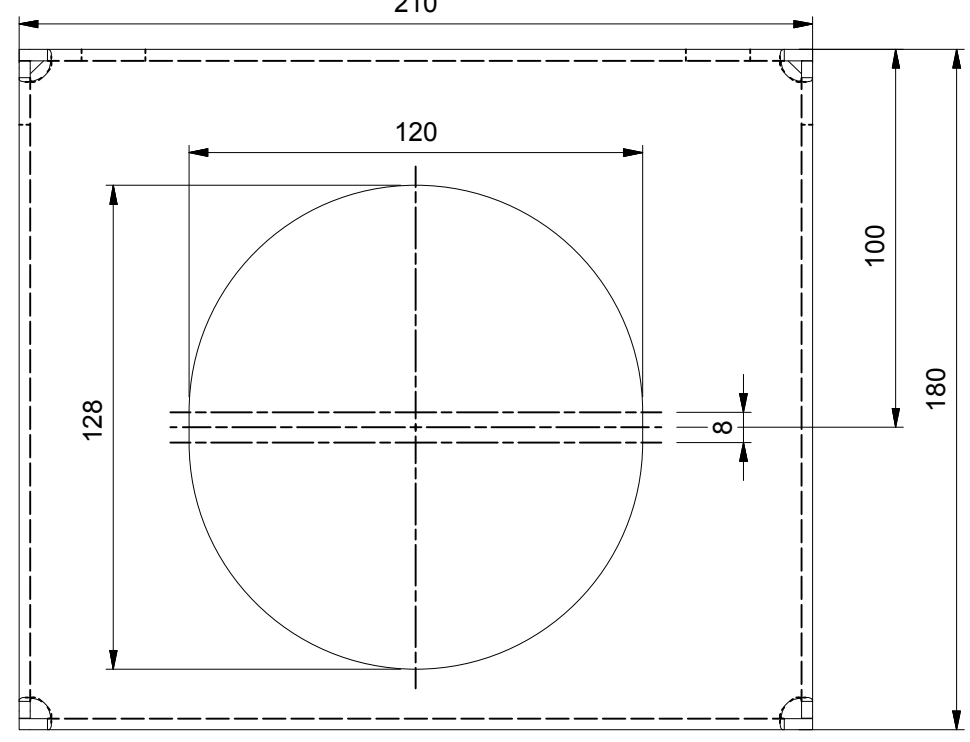
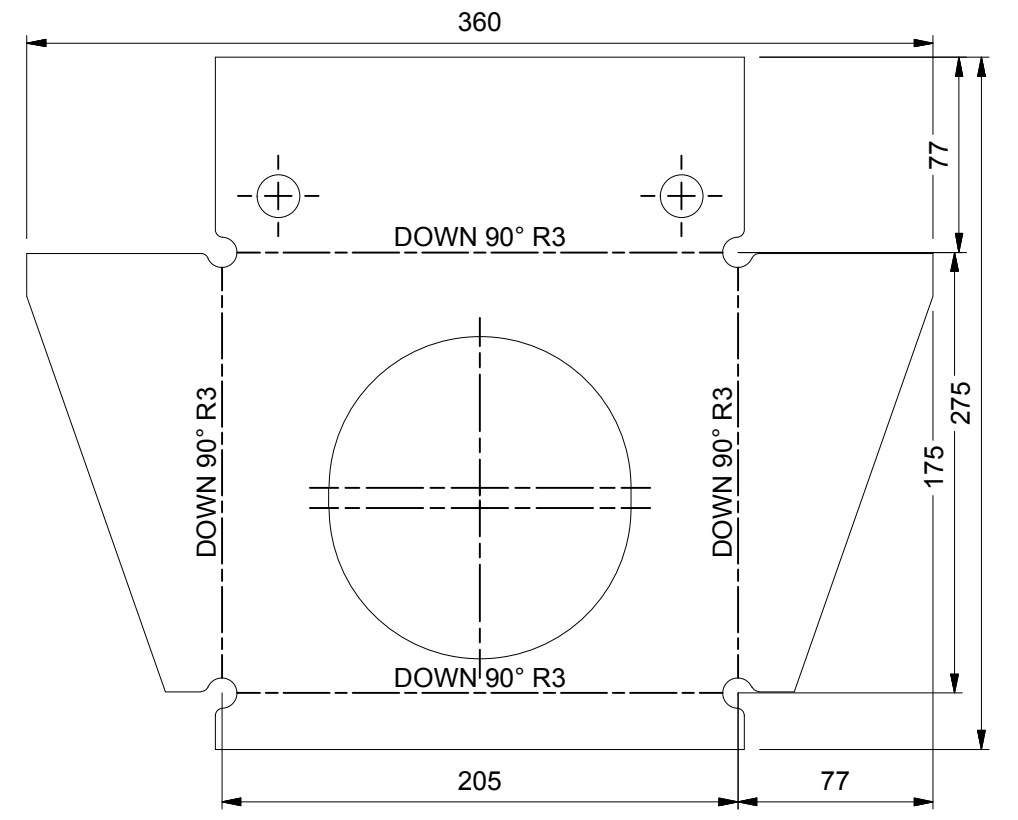


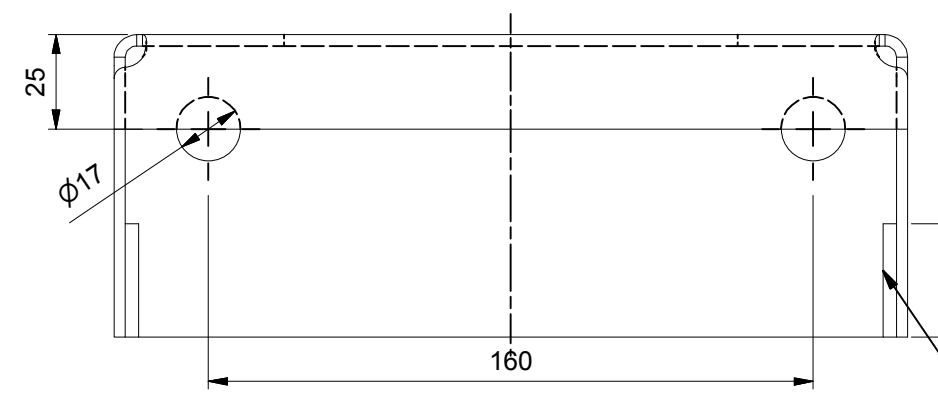
Top view (1 : 2)



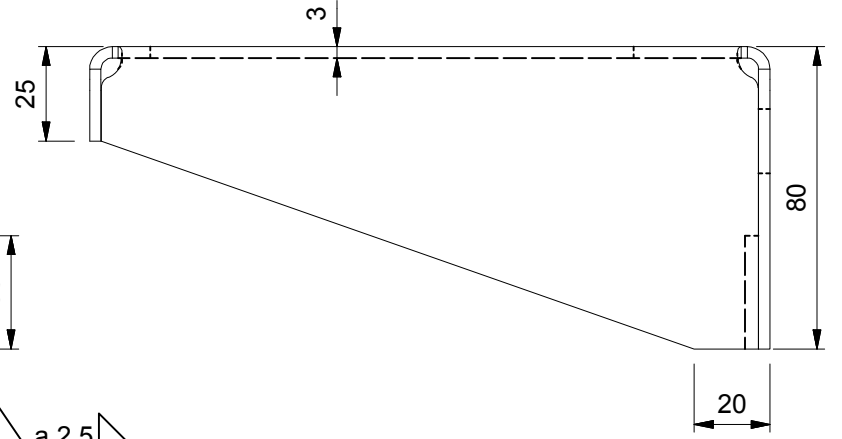
Flat pattern (1 : 3)



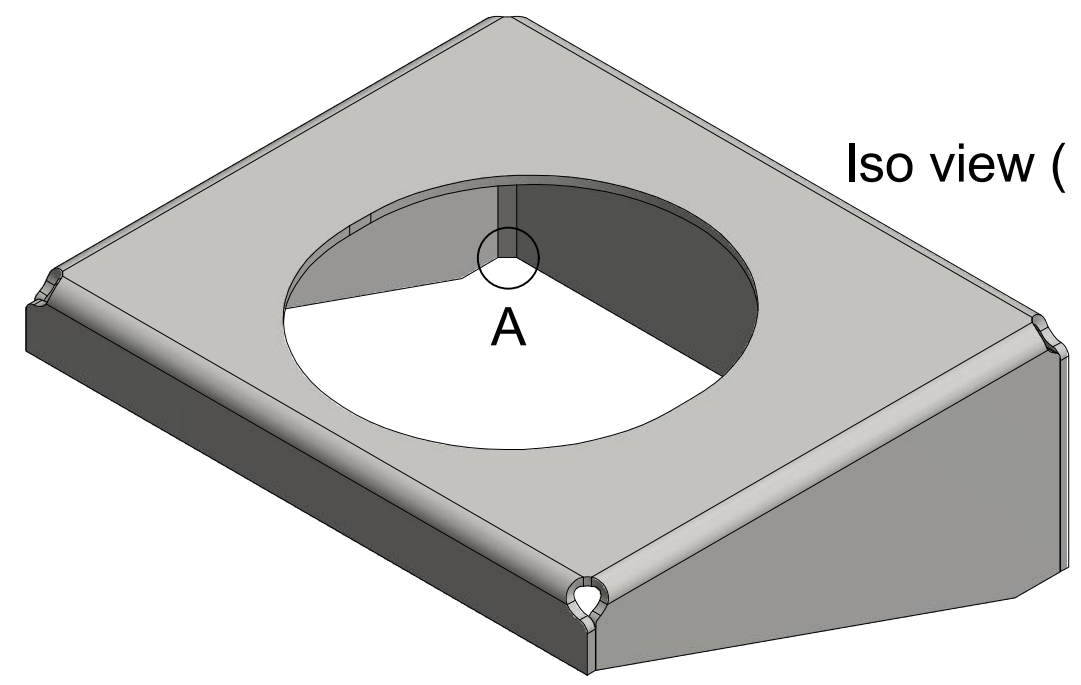
Front view (1 : 2)



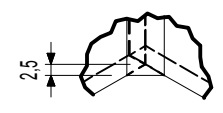
Side view (1 : 2)



Iso view (1 : 2)



A (1 : 1)



Revision history			
Rev.	Date	Description	DESIGNER
A	19-9-2017	Checked drawing and set "Released"	M. Wiersma
B	6-10-2017	Changed weld and its annotation	M. Wiersma

© 2017 MPC INDUSTRIES BV, developed and designed by MPC INDUSTRIES BV	
General Tolerances: according to: DIN 2768-vL	
SURFACE TREATMENT AND OR PROTECTION: Chemically Cleaned. (Pickling & passivation)	
Material: Stainless Steel AISI 316	Mass: 1,493 kg
Doc no.: B-5M.dwg	
Third angle projection:	Part number: B-5M
Drawn by: Gy.Kardos	Creation date: 21-3-2017
Checked by: M. Wiersma	Checked date: 19-9-2017
Scale 1:2	Units: mm
Status: Released	
Description: MPC Industries, Suport Bracket B-5M	
Revision: B	
Format: A3	