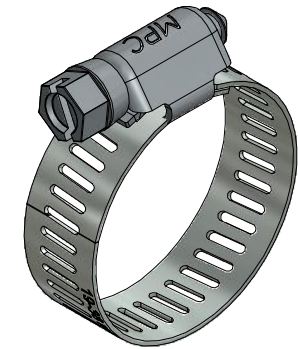
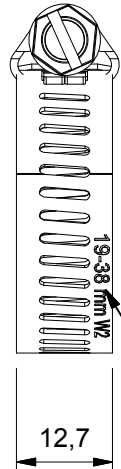


Iso view (1 : 1)

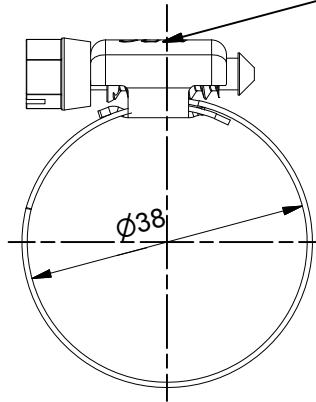


Front view (1 : 1)




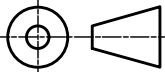
Product mark:
19-38 mm W2

Side view (1 : 1)



Product mark:
MPC

| Item | Qty | Description | Material |
|------|-----|-------------|--------------------------|
| 1 | 1 | Band | Stainless Steel AISI 301 |
| 2 | 1 | House | Stainless Steel AISI 301 |
| 3 | 1 | Screw | Zinc plated, Steel, Mild |

| | | | |
|---|---------------------------|---|-----------|
|  | | © 2015 MPC INDUSTRIES BV, developed and designed by MPC INDUSTRIES BV | |
| | | General Tolerances: according to: DIN 2768-vL | |
| <p>NOTICE TO PERSONS RECEIVING THIS DRAWING AND/OR TECHNICAL INFORMATION:</p> <p>MPC Industries BV claims proprietary rights to the material disclosed hereon. This drawing and/or technical information is issued in confidence for engineering information only and may not be reproduced or used to manufacture anything shown or referred to hereon without direct written permission from MPC Industries BV to the user. This drawing and/or technical information is the property of MPC Industries BV and is loaned for mutual assistance to be returned when its purpose has been served.</p> <p>THIS DRAWING AND/OR TECHNICAL INFORMATION IS THE PROPERTY OF MPC INDUSTRIES BV</p> <p>DO NOT SCALE FROM DRAWING.</p> | | SURFACE TREATMENT AND OR PROTECTION: | |
| | | Material: | |
| Doc no.: BA212019.dwg | | Part number: | |
| Third angle projection: | | <h1>BA212019</h1> | |
|  | | | |
| Drawn by: Gy.Kardos | Creation date: 15/04/2016 | Description: MPC BA 19-38mm AISI301/W1 Screw bandwidth 12.7mm | Revision: |
| Checked by: | Checked date: | | Format: |
| Scale 1:1 | Units: mm | | A4 |
| Status: Released | | | |
| MPC Industries B. V. Badweg 38 8401 BL Gorredijk Postbus 225 8400 AE Gorredijk. Tel.: . 0513 465477 Fax.: 0513 465736 | | | |