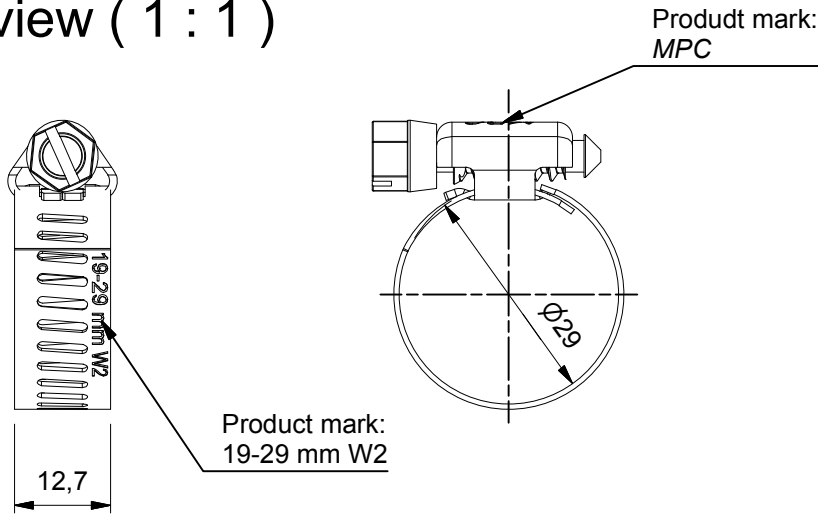

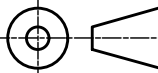


Iso view (1 : 1)

Front view (1 : 1)



Item	Qty	Description	Material
1	1	Band	Stainless Steel AISI 301
2	1	House	Stainless Steel AISI 301
3	1	Screw	Zinc plated, Steel, Mild

		© 2015 MPC INDUSTRIES BV, developed and designed by MPC INDUSTRIES BV	
		General Tolerances: according to: DIN 2768-vL	
<p>NOTICE TO PERSONS RECEIVING THIS DRAWING AND/OR TECHNICAL INFORMATION:</p> <p>MPC Industries BV claims proprietary rights to the material disclosed hereon. This drawing and/or technical information is issued in confidence for engineering information only and may not be reproduced or used to manufacture anything shown or referred to hereon without direct written permission from MPC Industries BV to the user. This drawing and/or technical information is the property of MPC Industries BV and is loaned for mutual assistance to be returned when its purpose has been served.</p> <p>THIS DRAWING AND/OR TECHNICAL INFORMATION IS THE PROPERTY OF MPC INDUSTRIES BV</p> <p>DO NOT SCALE FROM DRAWING.</p>		SURFACE TREATMENT AND OR PROTECTION:	
		Material:	
<p>Third angle projection:</p> 		Doc no.: BA212019029.dwg	
		Part number: BA212019029	
Drawn by: Gy.Kardos	Creation date: 15/04/2016	Description: MPC BA 19-29 mm AISI301/W1 Screw bandwidth 12.7mm	Revision:
Checked by:	Checked date:		Format: A4
Scale 1:1	Units: mm		
Status: Released			
MPC Industries B. V. Badweg 38 8401 BL Gorredijk Postbus 225 8400 AE Gorredijk. Tel.: . 0513 465477 Fax.: 0513 465736			