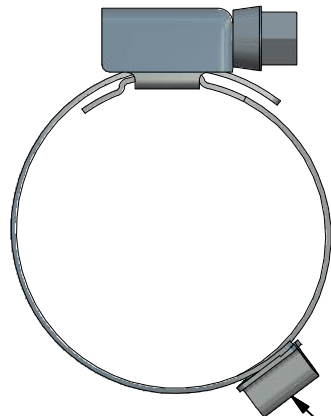
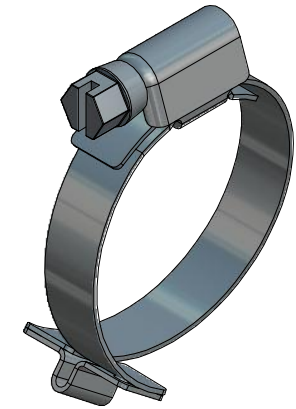
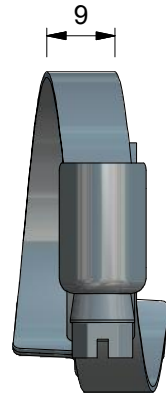
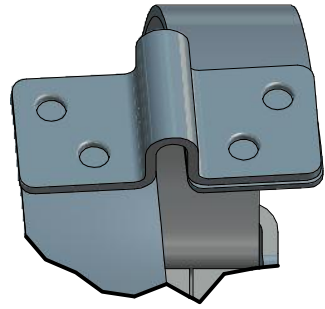
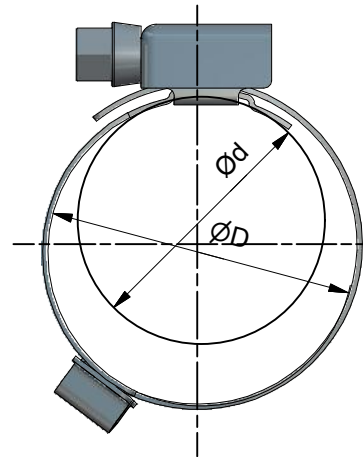
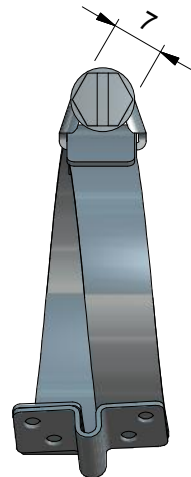


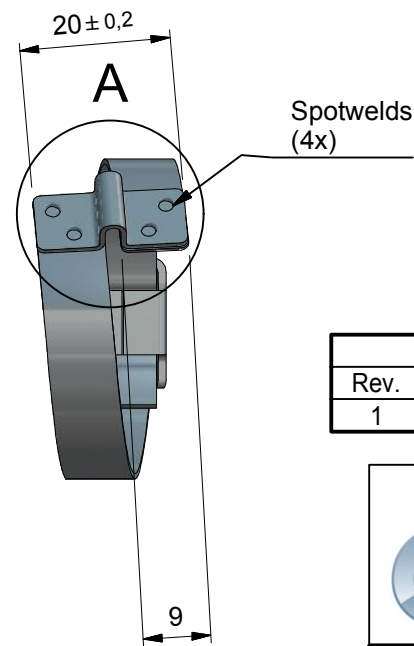
A (2:1)



Bridge part



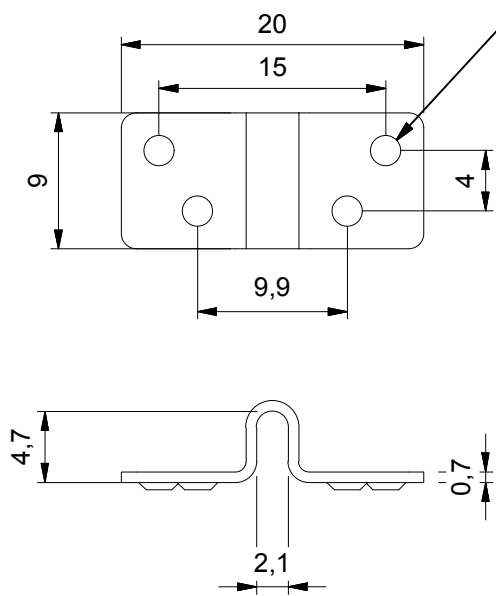
Sizes				
Diameter Ød:	Diameter ØD:	Bandwidth:	Bandthickness:	Screw head:
30mm	35mm	9mm	0,7mm	C7



Bridge details

VIEW9 ( 2 : 1 )

Welding projection points (4x)



Revision history			
Rev.	Date	Description	DESIGNER
1	21-8-2014	removed grinded or cutted sides, relocated bridge part in such a way, that 20mm. width remains	M. Wiersma



© 2013 MPC INDUSTRIES BV, developed and designed by MPC INDUSTRIES BV

General Tolerances: according to: DIN 2768-vL

SURFACE TREATMENT AND/OR PROTECTION:

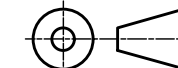
NOTICE TO PERSONS RECEIVING THIS DRAWING AND/OR TECHNICAL INFORMATION:  
MPC Industries BV claims proprietary rights to the material disclosed hereon. This drawing and/or technical information is issued in confidence for engineering information only and may not be reproduced or used to manufacture anything shown or referred to hereon without direct written permission from MPC Industries BV to the user. This drawing and/or technical information is the property of MPC Industries BV and is loaned for mutual assistance to be returned when its purpose has been served.  
THIS DRAWING AND/OR TECHNICAL INFORMATION IS THE PROPERTY OF MPC INDUSTRIES BV.  
DO NOT SCALE FROM DRAWING.

Material:

Dimensions:

Doc no.: D4025BR.dwg

Third angle projection:



Part number:

**D4025BR**

Drawn by: M. Wiersma

Creation date: 18-8-2014

Checked by:

Checked date:

Scale 1:1

Units: mm

Status: Pending

Description:

MPC D W4, with bridge for right winded spiral hose

Revision:

1

Format:

A3