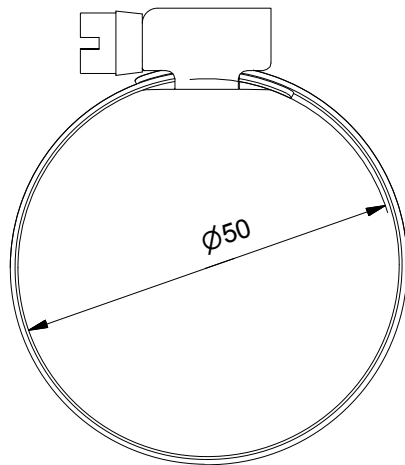
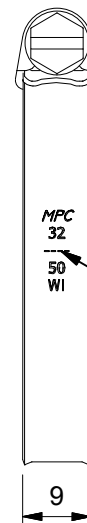


Side view (1 : 1)




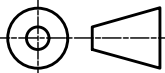
Front view (1 : 1)



Product mark:
MPC 32-50 W1

Iso View (1 : 1)



		© 2013 MPC INDUSTRIES BV, developed and designed by MPC INDUSTRIES BV			
		General Tolerances: according to: DIN 2768-vL			
<p>NOTICE TO PERSONS RECEIVING THIS DRAWING AND/OR TECHNICAL INFORMATION:</p> <p>MPC Industries BV claims proprietary rights to the material disclosed hereon. This drawing and/or technical information is issued in confidence for engineering information only and may not be reproduced or used to manufacture anything shown or referred to hereon without direct written permission from MPC Industries BV to the user. This drawing and/or technical information is the property of MPC Industries BV and is loaned for mutual assistance to be returned when its purpose has been served.</p> <p>THIS DRAWING AND/OR TECHNICAL INFORMATION IS THE PROPERTY OF MPC INDUSTRIES BV</p> <p>DO NOT SCALE FROM DRAWING.</p>		SURFACE TREATMENT AND OR PROTECTION: Black Zinc plated			
		Material: W1		Dimensions:	
		Doc no.: DBC032.dwg		Part number: DBC032	
		Third angle projection: 		Description: MPC Industries DBC032 clamp, 32-50mm, W1, with black zinc-plated.	
Drawn by: gyula	Creation date: 14-Oct-13	Revision:	Format: A4		
Checked by:	Checked date:				
Scale 1:1	Units: mm				
Status: Released					
MPC Industries B. V. Badweg 38 8401 BL Gorredijk Postbus 225 8400 AE Gorredijk. Tel.: . 0513 465477 Fax.: 0513 465736					