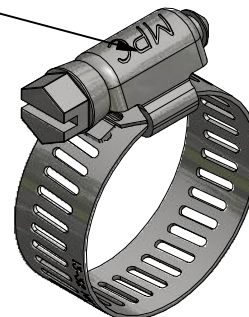
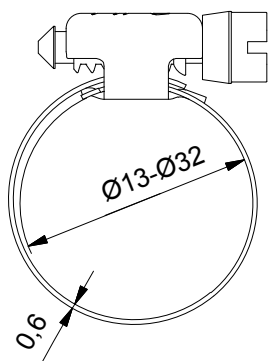


Parts identification (1 : 1)

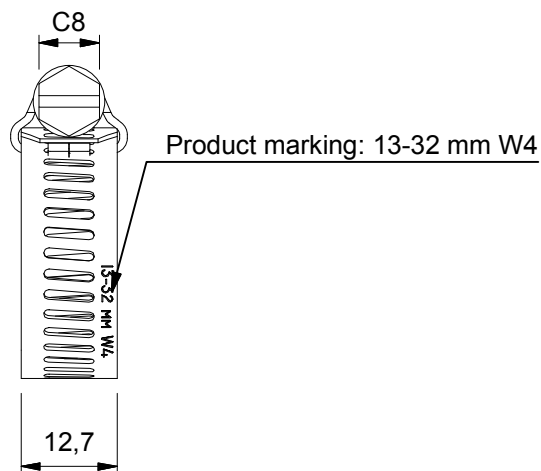
Product mark: MPC



Front view (1 : 1)



Side view (1 : 1)



Item	Qty	Description	Material
1	1	Band fully perforated	Stainless Steel AISI 301
2	1	House	Stainless Steel AISI 301
3	1	Screw C8	Stainless Steel AISI 203

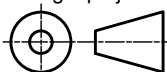


Material:

Dimensions: -

Doc no.: DD24013.dwg

Third angle projection:



Part number:

DD24013

Description:

MPC Industries, Perforated band clamps, 13-32mm, fully perforated, W4

Revision:

Format:

A4

Drawn by: Gyula

Creation date: 12/11/2013

Checked by:

Checked date:

Scale 1:1

Units: mm

Status: Released