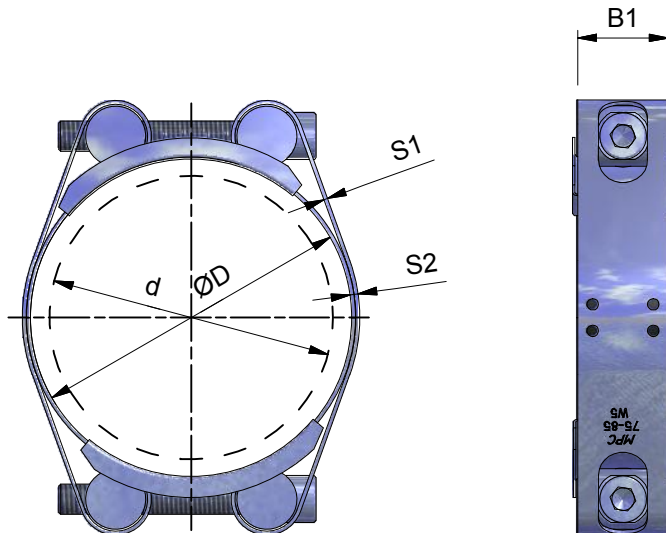


MPC TYPE "DSBHSS"



SIZES						
clamp size minimum:	clamp size maximum:	Band width:	Band W1; W5	Thickness W1; W5	Screw	Tightening Torque:
d	D	B1+/-1	S1	S2	M	AD* in Nm
60	70	24	1	2	8	25
65	75	24	1	2	8	25
70	80	24	1	2	8	25
75	85	24	1	2	8	25
80	90	24	1	2	8	25
85	95	24	1	2	8	25
90	100	24	1	2	8	25
95	105	24	1	2	8	25
100	110	24	1	2	8	25
105	115	24	1	2	8	25
110	120	24	1	2	8	25
115	125	24	1	2	8	25
120	130	24	1	2	8	25
125	135	24	1	2	8	25
130	140	24	1	2	8	25
135	145	24	1	2	8	25
140	150	24	1	2	8	25
145	155	24	1	2	8	25
150	160	24	1	2	8	25
155	165	24	1	2	8	25
160	170	24	1	2	8	25
165	175	24	1	2	8	25
170	180	24	1	2	8	25
180	190	24	1	2	8	25
190	200	24	1	2	8	25
200	210	24	1	2	8	25
210	220	24	1	2	8	25
220	230	24	1	2	8	25
230	240	24	1	2	8	25
240	250	24	1	2	8	25

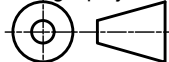
AD*= Maximum advised torque. We recommend working on 72% of the maximum values.



Material:

W1, W5

Third angle projection:



Part number:

DSB HSS

Description:

MPC Industries Double Super
Clamp Inner hex same side

Revision:

Drawn by: Gyula

Creation date: 27-3-2014

Scale 1:1

Units: mm

Format:

A4