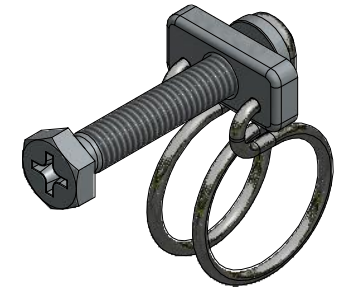
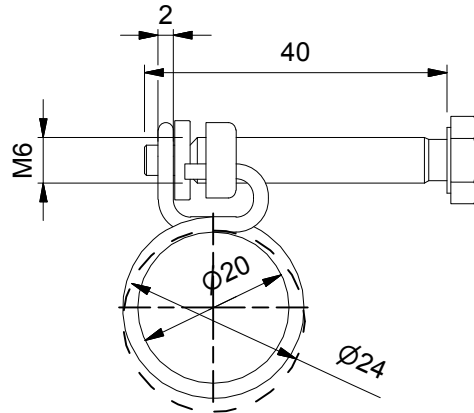


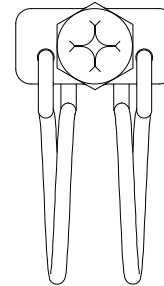
VIEW1 (1 : 1)



VIEW2 (1 : 1)



VIEW3 (1 : 1)

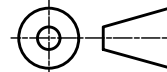


Material: **AISI 304**

Dimensions: -

Doc no.: **DWC4020LS.dwg**

Third angle projection:



Part number:

DWC4020LS

Drawn by: **gyula**

Creation date: **29-May-13**

Checked by:

Checked date:

Scale **1:1**

Units: **mm**

Status: **Released**

Description:

MPC Industries DWC Wire clamps, 20-24mm, W4

Revision:

Format:

A4

NOTICE TO PERSONS RECEIVING THIS DRAWING AND/OR TECHNICAL INFORMATION:

MPC Industries BV claims proprietary rights to the material disclosed hereon. This drawing and/or technical information is issued in confidence for engineering information only and may not be reproduced or used to manufacture anything shown or referred to hereon without direct written permission from MPC Industries BV to the user. This drawing and/or technical information is the property of MPC Industries BV and is loaned for mutual assistance to be returned when its purpose has been served.

THIS DRAWING AND/OR TECHNICAL INFORMATION IS THE PROPERTY OF MPC INDUSTRIES BV

MPC Industries B. V. Badweg 38 8401 BL Gorredijk Postbus 225 8400 AE Gorredijk. Tel.: . 0513 465477 Fax.: 0513 465736