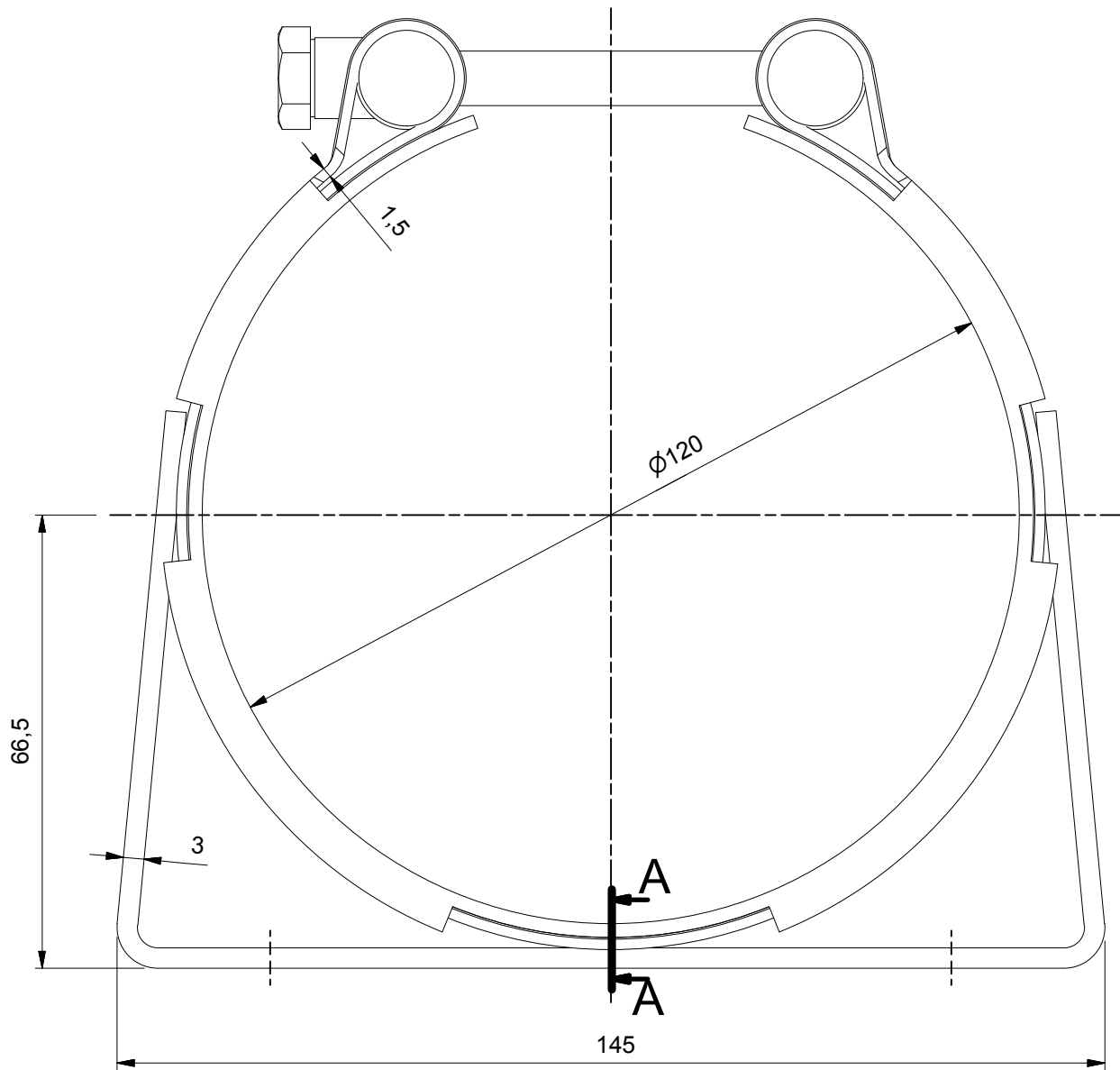
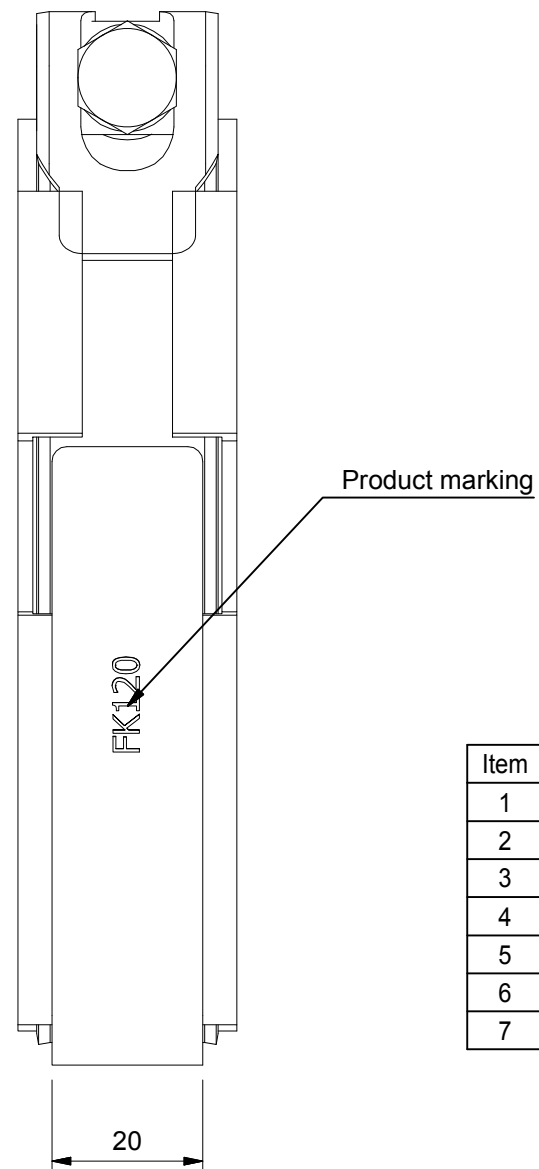


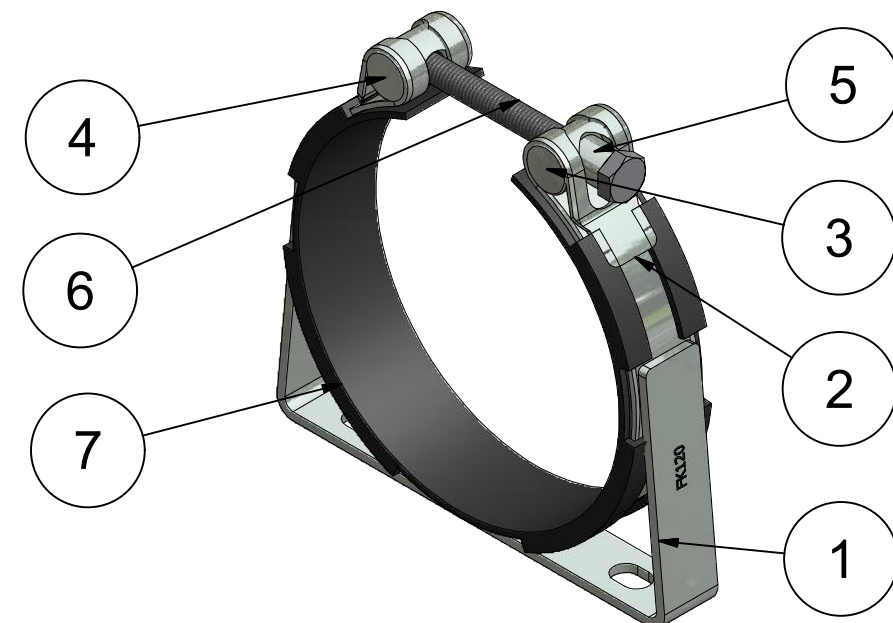
Front view (1 : 1)



Side view (1 : 1)

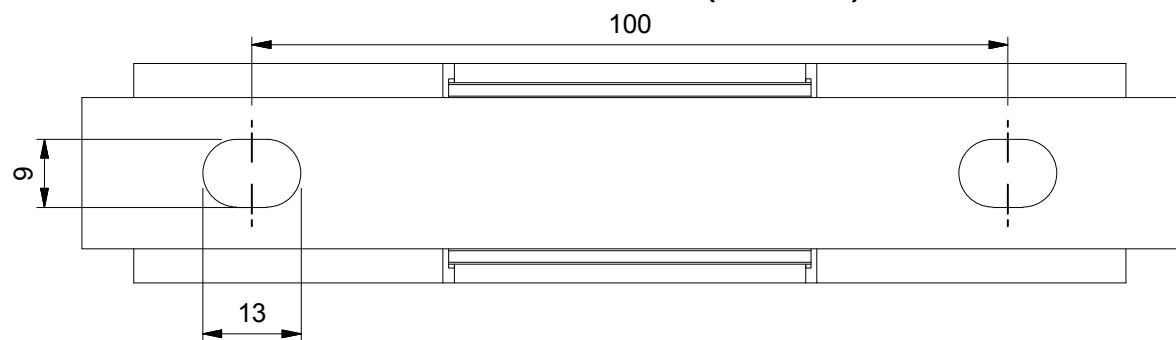


Parts identification (1 : 2)

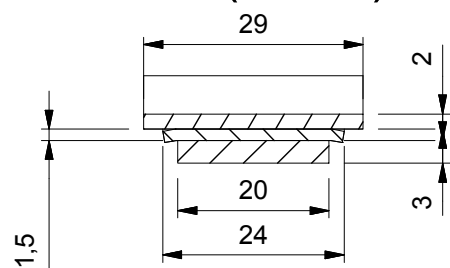


Item	Qty	Description	Material
1	1	Console	Zinc plated Steel, Mild
2	1	Clamp part	Zinc plated Steel, Mild
3	1	Trunnion	Zinc plated Steel, Mild
4	1	Trunnion M8	Zinc plated Steel, Mild
5	1	Spacer for M8x11x1,2mm	Zinc plated Steel, Mild
6	1	Hex-Head Bolt M8*80	Zinc plated St 8.8
7	1	Rubber part	EPDM Rubber Shore hardness 65°±5°

Bottom view (1 : 1)



A-A (1 : 1)



Product mark:
FK120

Revision history			
Rev.	Date	Description	AUTHOR
-	23-3-2010	Drawing created	Martin
1	9-3-2011	Changed fault build in height into correct 66.5mm	Martin
2	19-2-2014	Drawing renewed	gyula



Material:	Dimensions: -
Doc no.: FK120.dwg	
Third angle projection:	Part number: FK120

Drawn by: gyula	Creation date: 23-5-2013	Description: MPC Industries Accumulator clamp Ø115-Ø120mm W1. Carbon steel, Zn plated blue passivated.	Revision: 2
Checked by:	Checked date:		
Scale: 1:1	Units: mm	Format: A3	
Status: Released			

NOTICE TO PERSONS RECEIVING THIS DRAWING AND/OR TECHNICAL INFORMATION:
MPC Industries BV claims proprietary rights to the material disclosed hereon. This drawing and/or technical information is issued in confidence for engineering information only and may not be reproduced or used to manufacture anything shown or referred to hereon without direct written permission from MPC Industries BV to the user. This drawing and/or technical information is the property of MPC Industries BV and is loaned for mutual assistance to be returned when its purpose has been served.
THIS DRAWING AND/OR TECHNICAL INFORMATION IS THE PROPERTY OF MPC INDUSTRIES BV