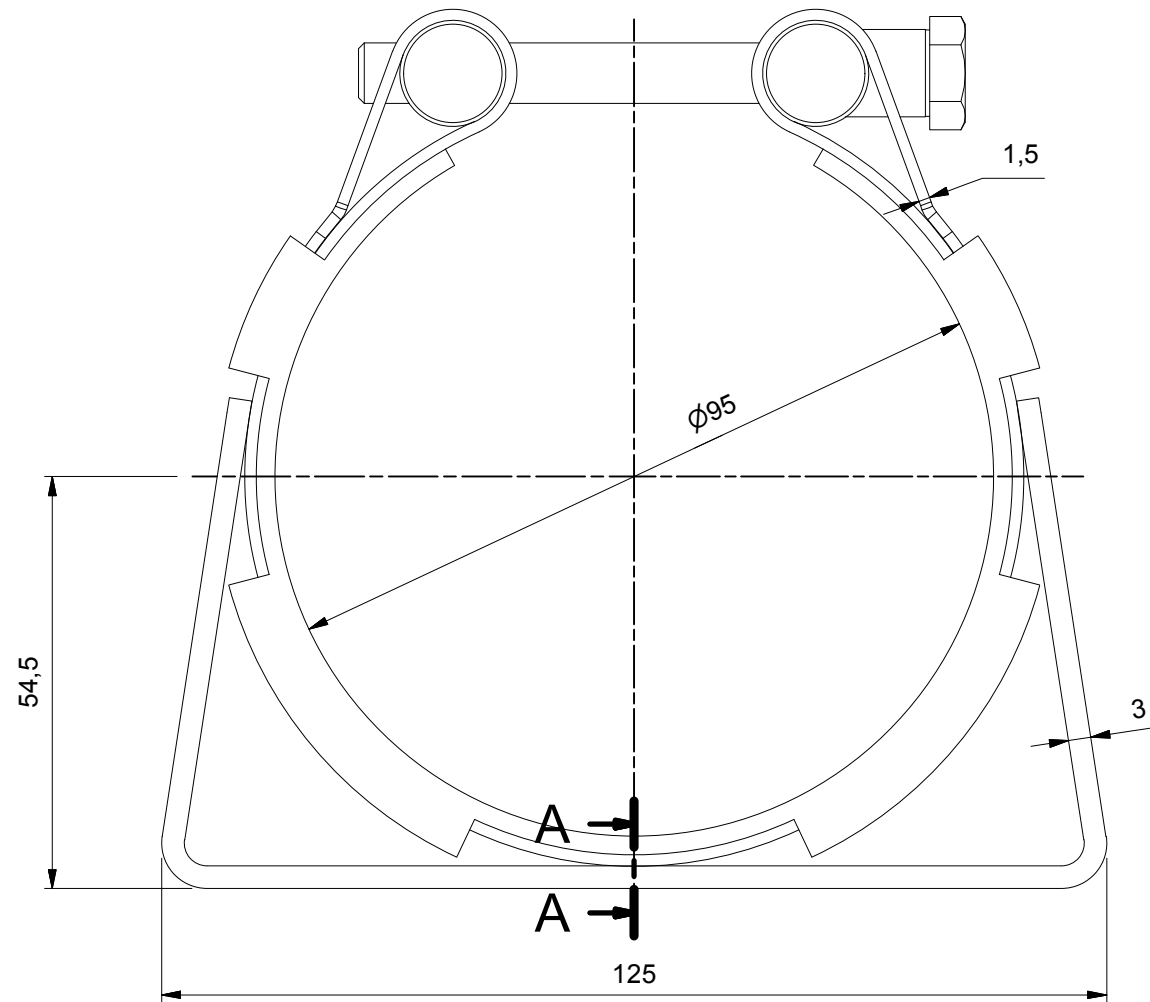
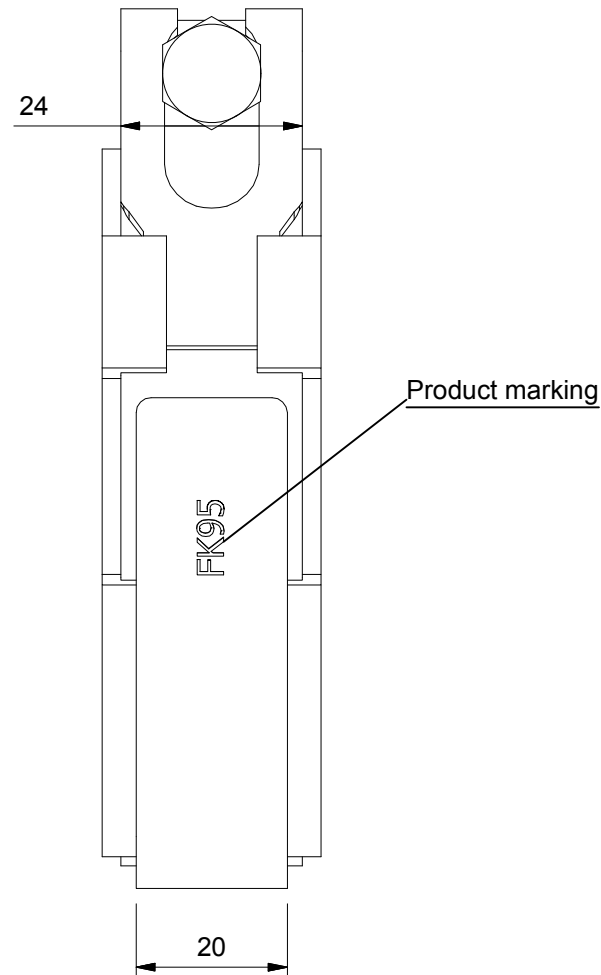


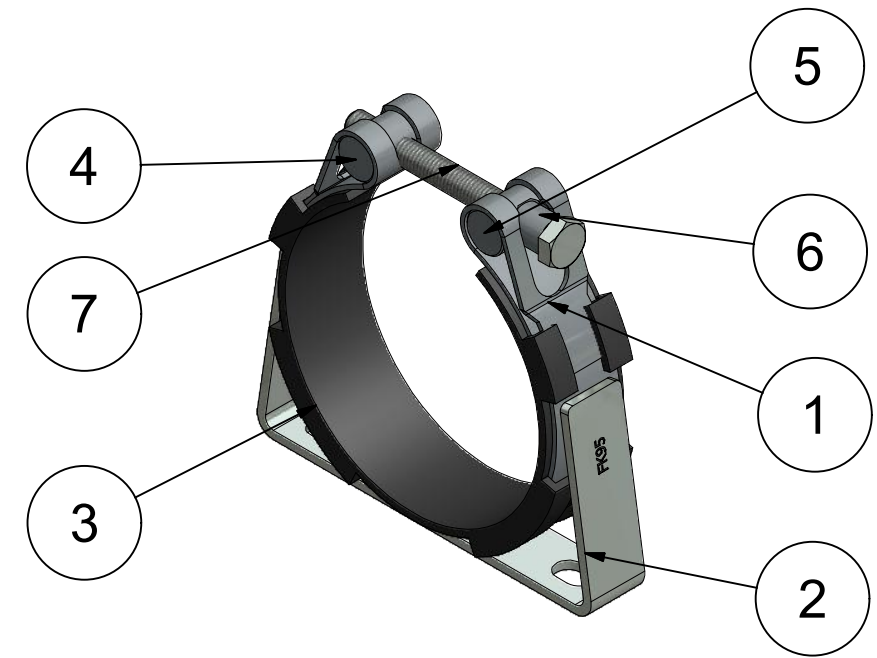
Front view (1 : 1)



Side view (1 : 1)

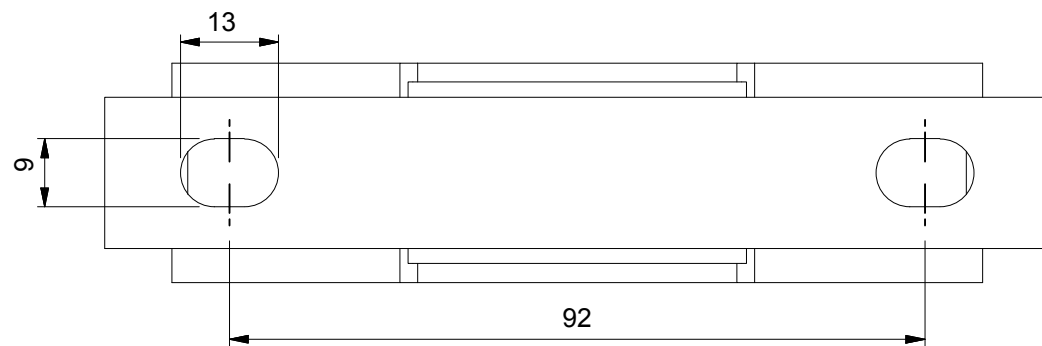


Parts identification (1 : 2)

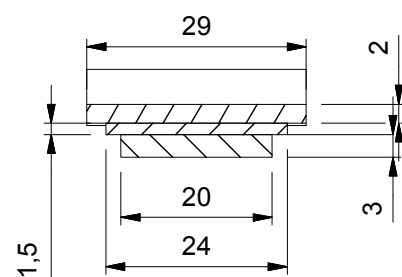


| Item | Qty | Description | Material |
|------|-----|----------------------|-----------------------------------|
| 1 | 1 | Clamp part | Zinc plated Steel, Mild |
| 2 | 1 | Console | Zinc plated Steel, Mild |
| 3 | 1 | Rubber part | EPDM Rubber Shore hardness 65°±5° |
| 4 | 1 | Trunnion Ø14x23xM8 | Zinc plated Steel, Mild |
| 5 | 1 | Trunnion Ø14x23xØ8,5 | Zinc plated Steel, Mild |
| 6 | 1 | Spacer Ø11.6x11x1.2 | Zinc plated Steel, Mild |
| 7 | 1 | Hex head screw M8x75 | Zinc plated ST 8.8 |

Bottom view (1 : 1)



A-A (1 : 1)



Product mark:
FK95

| Revision history | | | |
|------------------|-----------|--------------------------|--------|
| Rev. | Date | Description | AUTHOR |
| - | 26-4-2004 | Drawing created | Martin |
| 1 | 23-5-2013 | Inventor drawing created | gyula |
| 2 | 19-2-2014 | Drawing renewed | gyula |



| | |
|-------------------------|---------------------------------|
| Material: | Dimensions: - |
| Doc no.: FK95.dwg | |
| Third angle projection: | Part number: MPC-FK95 |

| | | | |
|------------------|--------------------------|--|-----------------------|
| Drawn by: gyula | Creation date: 23-5-2013 | Description: MPC Industries Accumulator clamp type 1, Ø90-95mm, W1 | Revision: 2 |
| Checked by: | Checked date: | | Format: A3 |
| Scale: 1:1 | Units: mm | | |
| Status: Released | | | |

NOTICE TO PERSONS RECEIVING THIS DRAWING AND/OR TECHNICAL INFORMATION:
MPC Industries BV claims proprietary rights to the material disclosed hereon. This drawing and/or technical information is issued in confidence for engineering information only and may not be reproduced or used to manufacture anything shown or referred to hereon without direct written permission from MPC Industries BV to the user. This drawing and/or technical information is the property of MPC Industries BV and is loaned for mutual assistance to be returned when its purpose has been served.
THIS DRAWING AND/OR TECHNICAL INFORMATION IS THE PROPERTY OF MPC INDUSTRIES BV