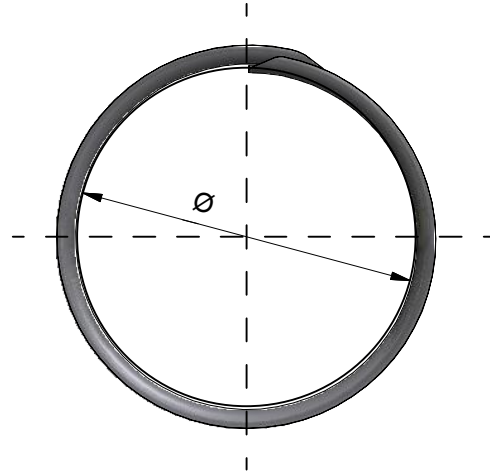


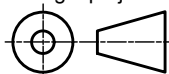
# MPC TYPE "HSR"



Sizes			
Min size	Max size	For bandwidth	Material
8	14	9	SS304
11	17	9	SS304
13	20	9	SS304
16	25	9	SS304
20	32	9	SS304
25	40	9	SS304
32	50	9	SS304
40	60	9	SS304
50	70	9	SS304
60	80	9	SS304
70	90	9	SS304
90	110	9	SS304
15	25	12	SS304
19	29	12	SS304
22	32	12	SS304
26	38	12	SS304
32	44	12	SS304
38	50	12	SS304
50	65	12	SS304
58	75	12	SS304
68	85	12	SS304
77	95	12	SS304
87	112	12	SS304



Third angle projection:



Material:  
SS304

Part number:

**HSR type**

Description:

MPC Industries, Insert ring,  
SS304 material.

Revision:

Format:

**A4**

Drawn by: gyula

Creation date: 26-Jun-13

Scale 1:1

Units: mm