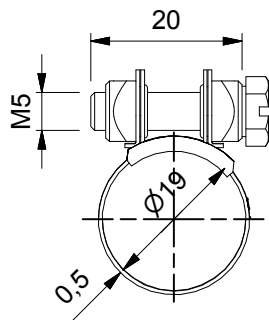
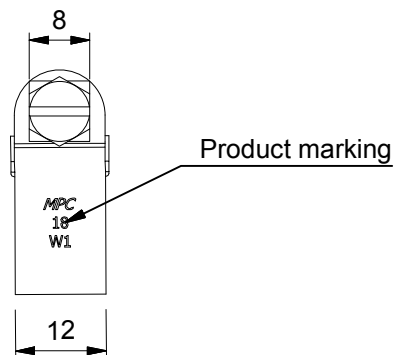


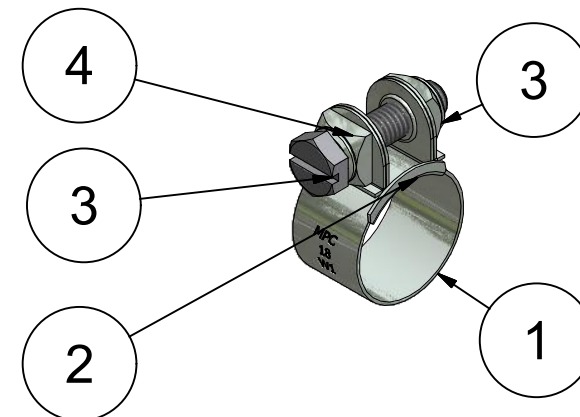
Front view ( 1 : 1 )



Side view ( 1 : 1 )




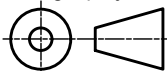
Parts identification ( 1 : 1 )



Item	Qty	Description	Material
1	1	Band	Zinc plated, Steel, Mild
2	1	Bridge	Zinc plated, Steel, Mild
3	1	Square rivet 8x8xM5	Zinc plated, Steel, Mild
4	1	Square rivet 8x8x5,2	Zinc plated, Steel, Mild
5	1	Hex-Head Bolt M5-20	Zinc plated, St 8.8

Product mark:  
MPC 18 WI

Revision history			
Rev.	Date	Description	AUTHOR
-	21-7-2005	Drawing created	Martin
1	29-7-2013	Inventor drawing created	gyula
2	25-2-2014	Drawing renewed	gyula

	Material:	Dimensions: -	
	Doc no.:	M018012.dwg	
	Third angle projection:		
Part number:		<b>M018012</b>	
Drawn by: gyula	Creation date: 29-7-2013	Description: <b>MPC Industries M clamp,                  Ø17-19mm, 12mm, W1</b>	Revision: <b>2</b>
Checked by:	Checked date:		Format: <b>A4</b>
Scale 1:1	Units: mm		
Status: Released			
MPC Industries B. V. Badweg 38 8401 BL Gorredijk Postbus 225 8400 AE Gorredijk. Tel.: . 0513 465477 Fax.: 0513 465736			

NOTICE TO PERSONS RECEIVING THIS DRAWING AND/OR TECHNICAL INFORMATION:  
MPC Industries BV claims proprietary rights to the material disclosed hereon. This drawing and/or technical information is issued in confidence for engineering information only and may not be reproduced or used to manufacture anything shown or referred to hereon without direct written permission from MPC Industries BV to the user. This drawing and/or technical information is the property of MPC Industries BV and is loaned for mutual assistance to be returned when its purpose has been served.  
THIS DRAWING AND/OR TECHNICAL INFORMATION IS THE PROPERTY OF MPC INDUSTRIES BV