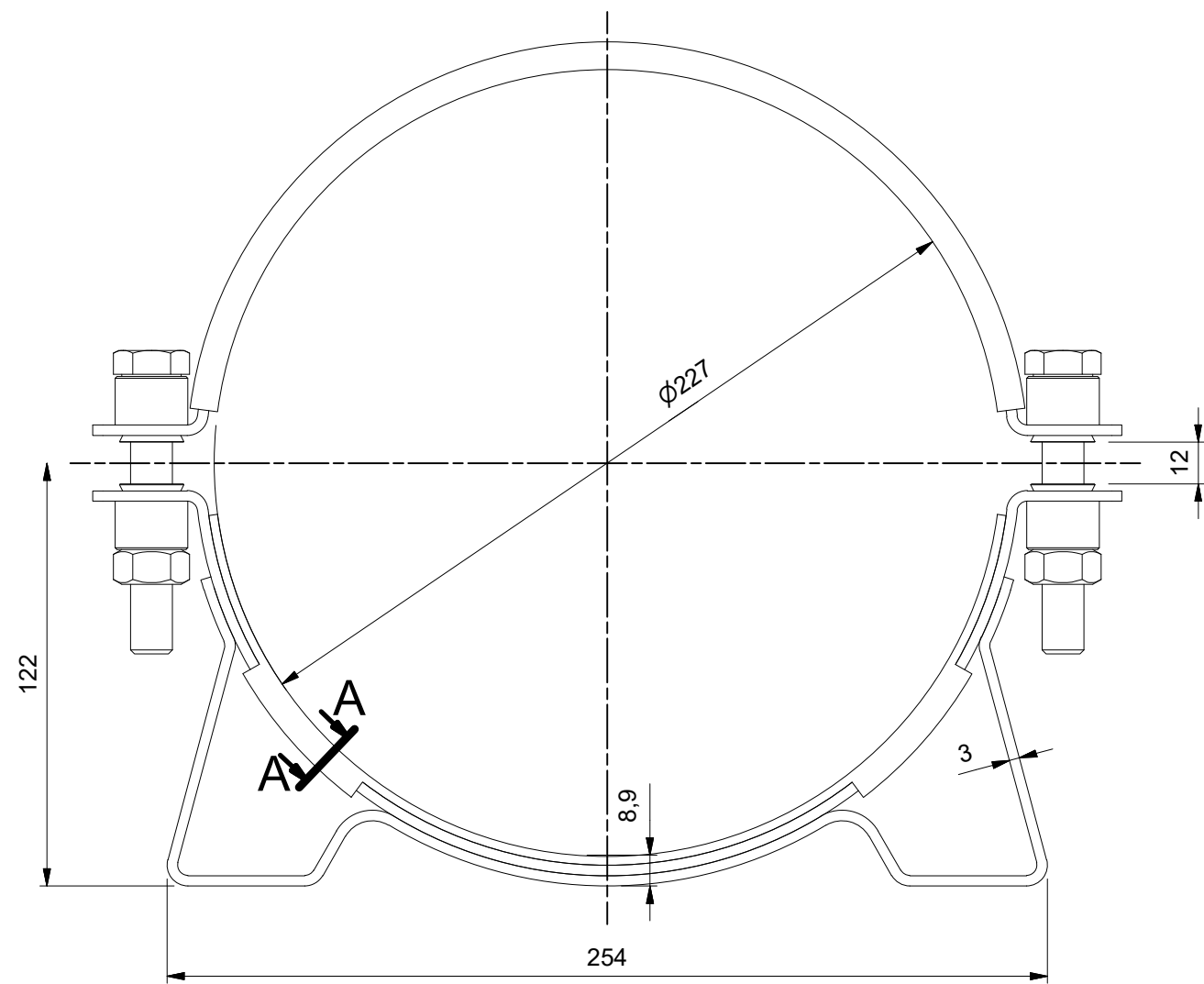
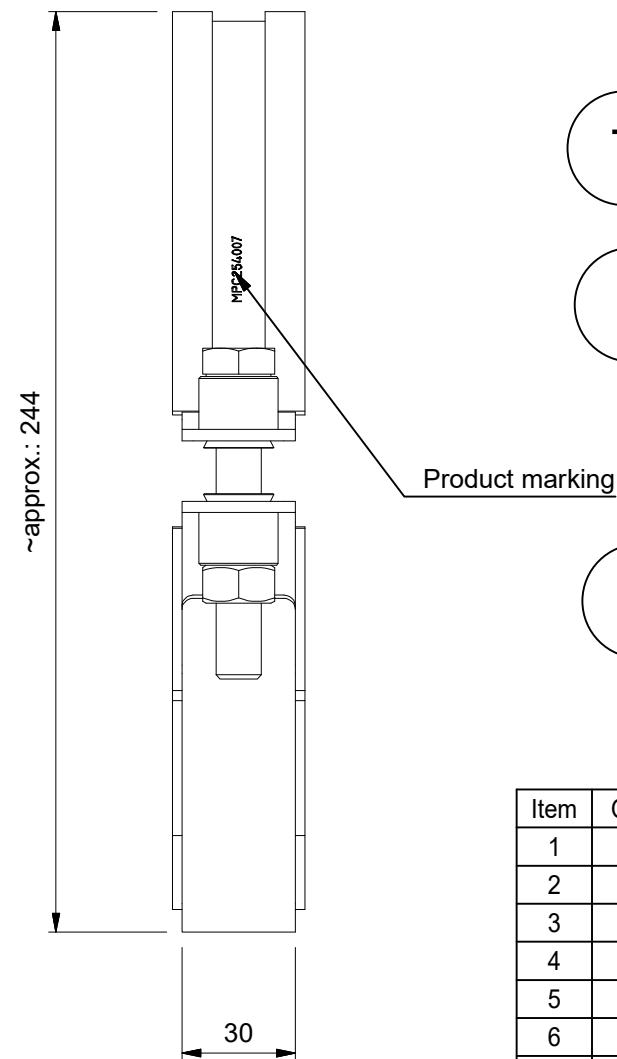


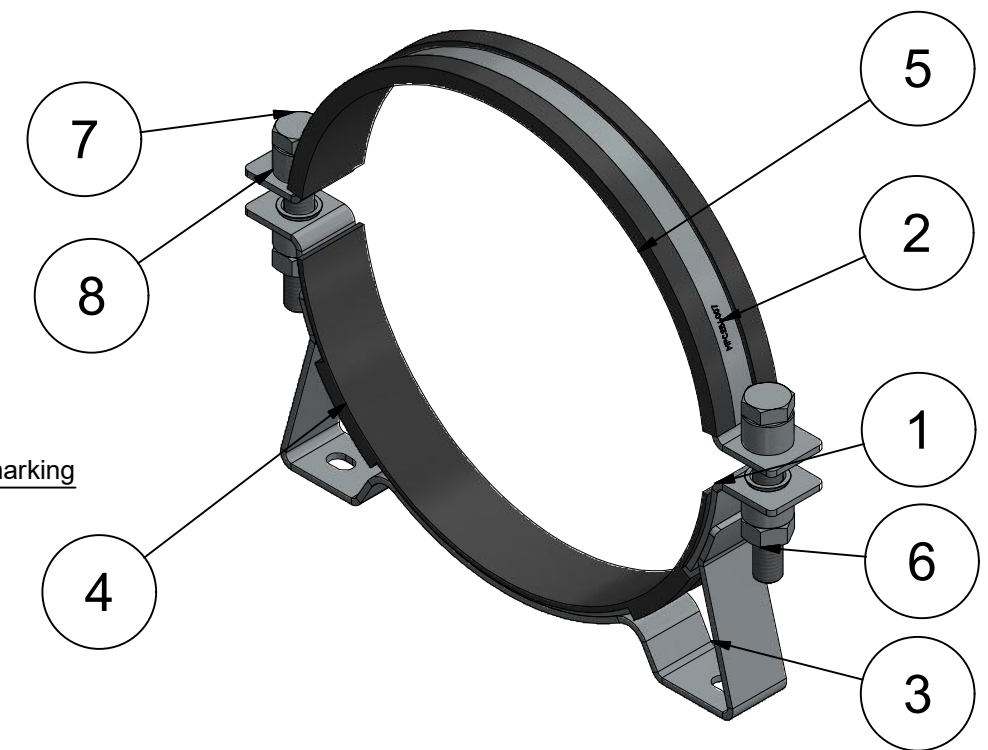
Front view (1 : 2)



Side view (1 : 2)

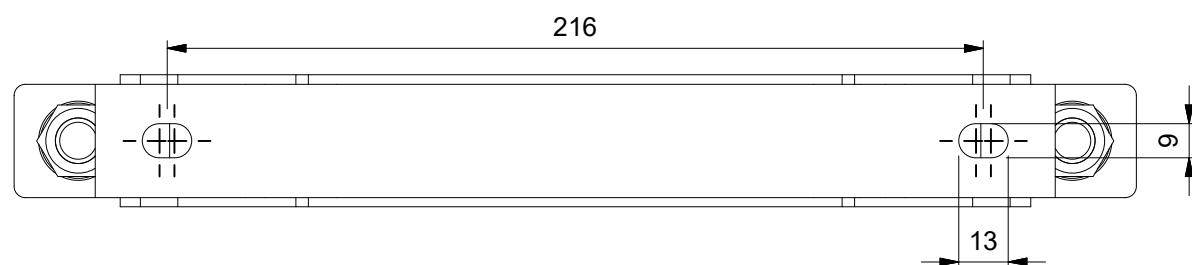


Parts identification (1 : 3)

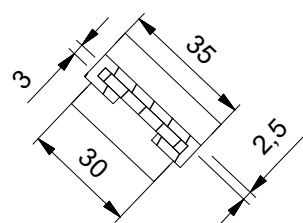


Item	Qty	Description	Material
1	1	Lower clamp part	Zinc plated Steel, Mild
2	1	Upper clamp part	Zinc plated Steel, Mild
3	1	Console part	Zinc plated Steel, Mild
4	1	Lower rubber part	EPDM Rubber Shore hardness 65°±5°
5	1	Upper rubber part	EPDM Rubber Shore hardness 65°±5°
6	2	NUT M12, DIN 934	Zinc plated ST 8.8
7	2	Screw DIN 933 M12*80 full threaded	Zinc plated ST 8.8
8	4	Rivet Ø21	Zinc plated Steel, Mild

Bottom view (1 : 2)



A-A (1 : 2)



Product mark:

MPC 254007

NOTICE TO PERSONS RECEIVING THIS DRAWING AND/OR TECHNICAL INFORMATION:
MPC Industries BV claims proprietary rights to the material disclosed hereon. This drawing and/or technical information is issued in confidence for engineering information only and may not be reproduced or used to manufacture anything shown or referred to hereon without direct written permission from MPC Industries BV to the user. This drawing and/or technical information is the property of MPC Industries BV and is loaned for mutual assistance to be returned when its purpose has been served.
THIS DRAWING AND/OR TECHNICAL INFORMATION IS THE PROPERTY OF MPC INDUSTRIES BV

Revision history			
Rev.	Date	Description	AUTHOR
-	31-1-1989	Drawing created	
1	7-1-2014	Drawing renewed	gyula

Material: -		Dimensions: -	
Doc no.: MPCACCU21221.dwg		Part number: MPCACCU21221	
Third angle projection:		Description: MPC Industries Accumulator clamp, 221-227mm, W1	
Drawn by: gyula	Creation date: 25/11/2011	Revision: 1	
Checked by:	Checked date:	Format: A3	
Scale: 1:1	Units: mm		
Status: Released			
MPC Industries B. V. Badweg 38 8401 BL Gorredijk Postbus 225 8400 AE Gorredijk. Tel.: . 0513 465477 Fax.: 0513 465736			