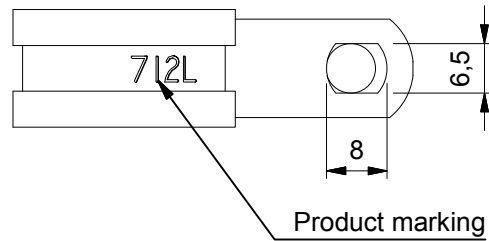
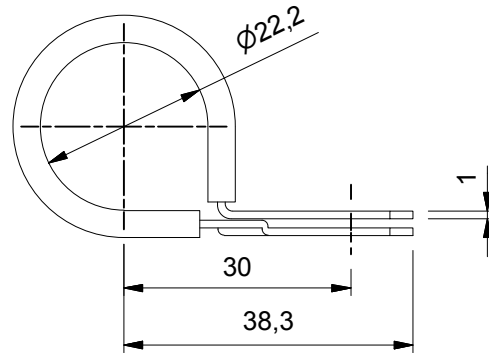


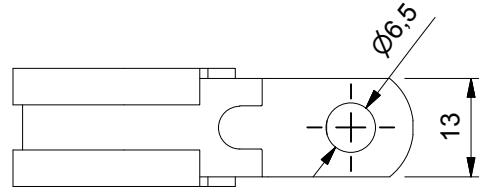
Top view ( 1 : 1 )



Front view ( 1 : 1 )



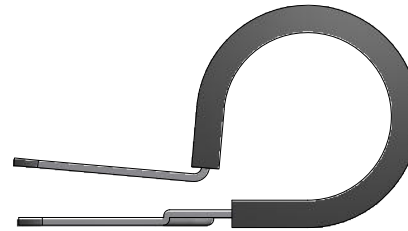
Bottom view ( 1 : 1 )



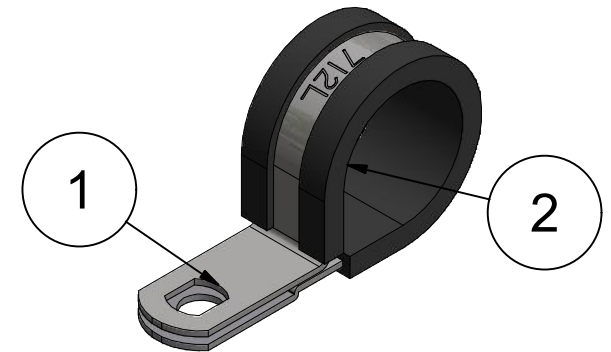
**TOLERANCE:**  
 CUTTING EDGES: 0,1 MM/MM MATERIAL THICKNESS.  
 DIMENSIONS OF HOLES: +/- 0,1 MM.  
 MATERIAL WIDTH: +/- 0,2 MM.  
 MATERIAL THICKNESS: +/- 0,3 MM.  
 PLACE TOLERANCE OF HOLES: +/- 1 MM.

NOTICE TO PERSONS RECEIVING THIS DRAWING AND/OR TECHNICAL INFORMATION:  
 MPC Industries BV claims proprietary rights to the material disclosed hereon. This drawing and/or technical information is issued in confidence for engineering information only and may not be reproduced or used to manufacture anything shown or referred to hereon without direct written permission from MPC Industries BV to the user. This drawing and/or technical information is the property of MPC Industries BV and is loaned for mutual assistance to be returned when its purpose has been served.  
 THIS DRAWING AND/OR TECHNICAL INFORMATION IS THE PROPERTY OF MPC INDUSTRIES BV

Delivery status ( 1 : 1 )



Parts identification ( 1 : 1 )



| Item | Qty | Description | Material                          |
|------|-----|-------------|-----------------------------------|
| 1    | 1   | Clamp part  | Stainless Steel AISI 316          |
| 2    | 1   | Rubber part | EPDM Rubber Shore hardness 65°±5° |

Product mark:  
712L

| Revision history |           |                          |        |
|------------------|-----------|--------------------------|--------|
| Rev.             | Date      | Description              | AUTHOR |
| -                | 19-1-2006 | Drawing created          | Martin |
| 1                | 19-7-2013 | Inventor drawing created | gyula  |
| 2                | 26-2-2014 | Drawing renewed          | gyula  |

|                         |                         |                                   |
|-------------------------|-------------------------|-----------------------------------|
|                         | Material:               | Dimensions: -                     |
|                         | Doc no.: MPLKD5712L.dwg |                                   |
| Third angle projection: |                         |                                   |
|                         |                         | Part number:<br><b>MPLKD5712L</b> |

|                  |                          |  |                       |
|------------------|--------------------------|--|-----------------------|
| Drawn by: gyula  | Creation date: 19-7-2013 | Description:<br>MPC Industries, Single lip fixing clip Ø22.2-Ø23.8mm.Width long lips, W5 | Revision:<br><b>2</b> |
| Checked by:      | Checked date:            |  | Format:<br><b>A4</b>  |
| Scale 1:1        | Units: mm                |  |                       |
| Status: Released |                          |  |                       |