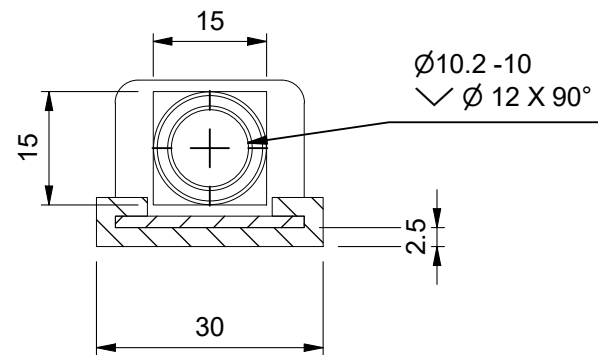


A-A ( 1 : 1 )



**Execution:**

- Zinc electrodeposited
- Rubber strip acc. to standard (Neoprene, diesel fuel resistant or EPDM)
- Strap material (item 1.) SM-Bandsteel of deep drawing quality

Item	Qty	Description	Material	Sum of Length
1	1	Clamp Band Steel Zn plated	Steel, Mild	707 mm
2	1	Rubber	Rubber (Neoprene or EPDM)	560 mm
3	1	Squarenut M10	ST 8.8	
4	1	trunnion Steel Zn plated	Steel, Mild	
5	1	DIN 933 Hex-Head Bolt M8x70	ST 8.8	
6	1	DIN 934 Hex Nut, DIN 933 M8 steel Zn plated	Steel	

		© 2017 MPC INDUSTRIES BV, developed and designed by MPC INDUSTRIES BV		
		General Tolerances: according to: DIN 2768-vL SURFACE TREATMENT AND OR PROTECTION: Zinc plated EN ISO 12329 Zn12/A		
NOTICE TO PERSONS RECEIVING THIS DRAWING AND/OR TECHNICAL INFORMATION: <small>MPC Industries BV claims proprietary rights to the material disclosed hereon. This drawing and/or technical information is issued in confidence for engineering information only and may not be reproduced or used to manufacture anything shown or referred to hereon without direct written permission from MPC Industries BV to the user. This drawing and/or technical information is the property of MPC Industries BV and is loaned for mutual assistance to be returned when its purpose has been served. THIS DRAWING AND/OR TECHNICAL INFORMATION IS THE PROPERTY OF MPC INDUSTRIES BV.</small> DO NOT SCALE FROM DRAWING.		Material: _____ Art.No: SG0030 Mass: 0,318 kg	Sheet: 1 / 1	
Drawn by: M. Wiersma Checked by: _____ Scale 1 : 2 Status: Pending		Creation date: 8-4-2019 Checked date: _____ Units: mm	Part number: <b>SG0030</b> Description: MPC Clamp Strap / Clamping Band Steel Zinc plated	Revision: <b>B</b> Format: <b>A3</b>

Rev.	Datum	Omschrijving	ENGINEER
B	13-5-2019	Added Rubber, EPDM changed diamter Trunnion from Ø17mm into 15mm.	M. Wiersma
A	9-4-2019	No Reinforcement plate	M. Wiersma
Revisie overzicht			