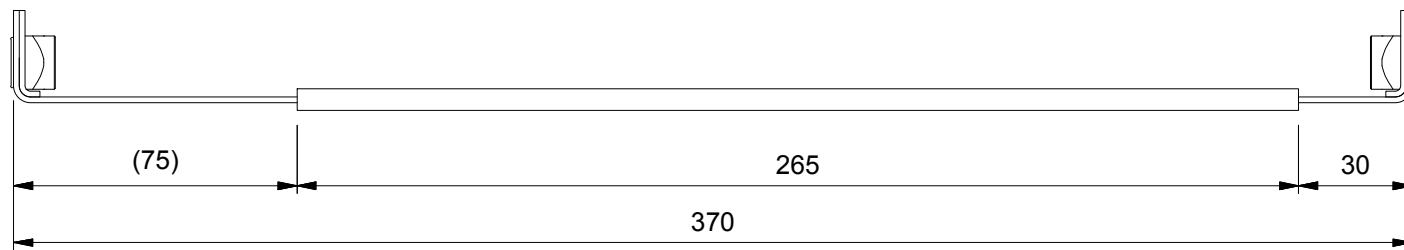
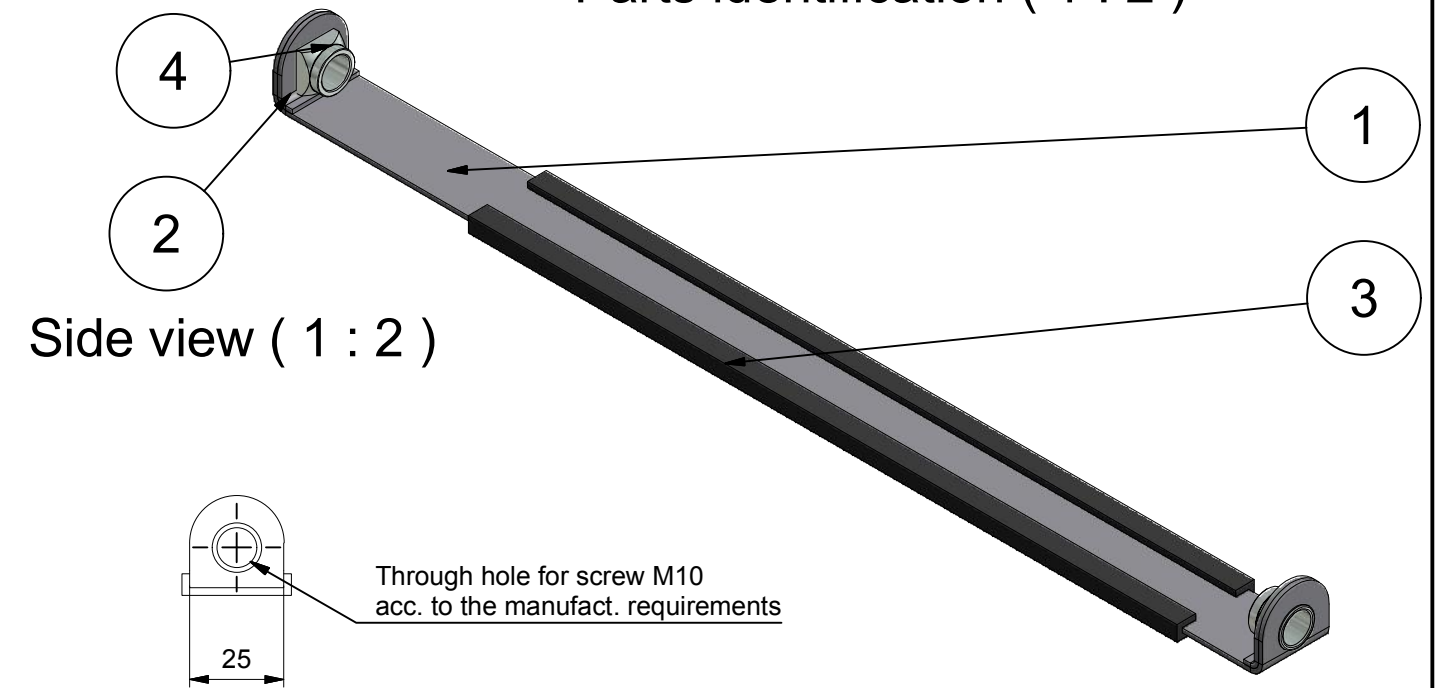


Front view ( 1 : 2 )



Parts identification ( 1 : 2 )


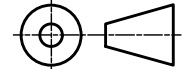


Item	Qty	Description	Material
1	1	Band	Zinc plated Steel, Mild
2	2	Plate	Zinc plated Steel, Mild
3	1	Rubber part	Neoprene rubber
4	2	Square nut Ø10,5mm	Zinc plated Steel, Mild

Execution:  
 Reinforcement acc. to manufact. requiements  
 Zinc electrodeposited  
 Rubber strip acc. to standard (Neoprene, diesel fuel resistant)  
 Strap material: SM-bandsteel of deep-drawing quality

Rev.		Date	Description	AUTHOR
-		14-11-91	Drawing created	Heil
1		29-01-97	auf CAD umgestellt	SZ
2		9-12-2013	Drawing renewed	Gy.Kardos

		© 2013 MPC INDUSTRIES BV, developed and designed by MPC INDUSTRIES BV	
General Tolerances: according to: DIN 2768-vL SURFACE TREATMENT AND OR PROTECTION:			
NOTICE TO PERSONS RECEIVING THIS DRAWING AND/OR TECHNICAL INFORMATION: MPC Industries BV claims proprietary rights to the material disclosed hereon. This drawing and/or technical information is issued in confidence for engineering information only and may not be reproduced or used to manufacture anything shown or referred to hereon without direct written permission from MPC Industries BV to the user. This drawing and/or technical information is the property of MPC Industries BV and is loaned for mutual assistance to be returned when its purpose has been served. THIS DRAWING AND/OR TECHNICAL INFORMATION IS THE PROPERTY OF MPC INDUSTRIES BV. DO NOT SCALE FROM DRAWING.		Material:	Dimensions:
Drawn by: Gy.Kardos Checked by: Scale 1:2 Status: Released		Doc no.: SG0031.dwg Third angle projection: 	Part number: <b>SG0031</b> Description: MPC Industries, Spannband Clamping band, SG0031, W1
Creation date: 09/12/2013 Checked date: Units: mm		Revision: <b>2</b> Format: <b>A3</b>	
MPC Industries B. V. Badweg 38 8401 BL Gorredijk Postbus 225 8400 AE Gorredijk. Tel.: . 0513 465477 Fax.: 0513 465736			