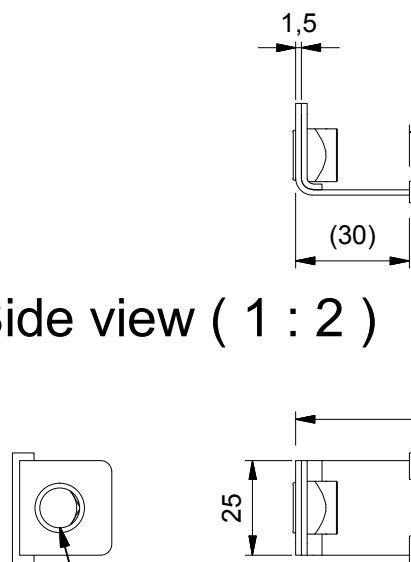
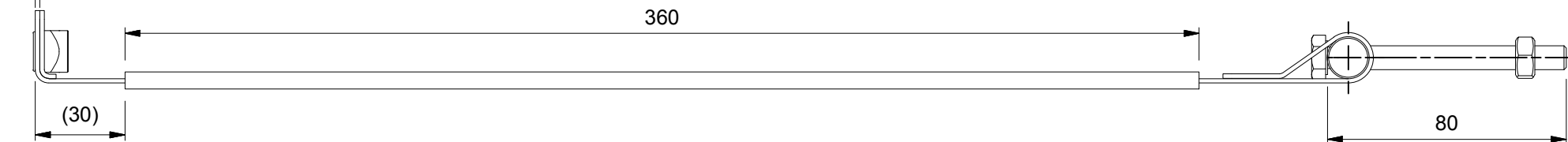


Side view (1 : 2)



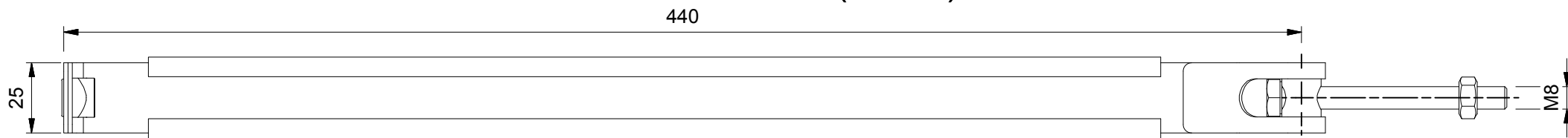
Through hole for screw M10
acc. to the manufact. requirements

Front view (1 : 2)



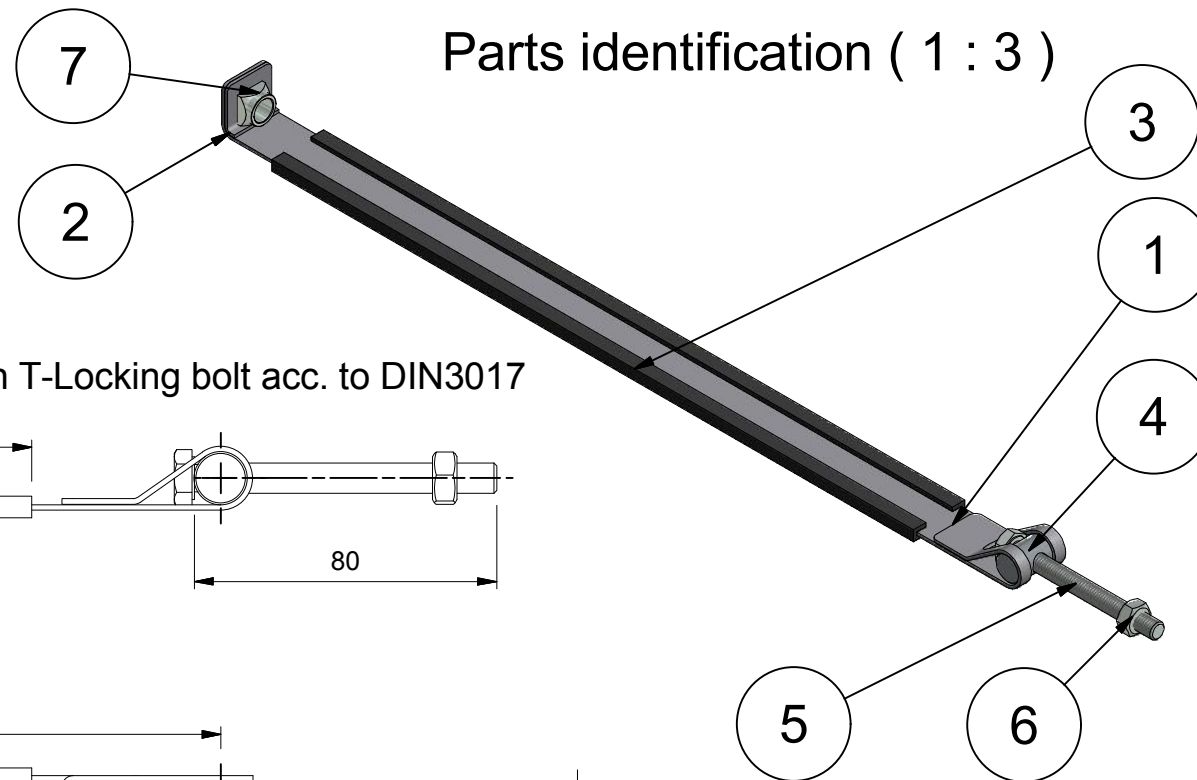
Execution: with T-Locking bolt acc. to DIN3017

Bottom view (1 : 2)



Execution: Hexagon head screw DIN 933-M8*80-8.8-A4C

Parts identification (1 : 3)



Item	Qty	Description	Material
1	1	Band	Zinc plated, Steel, Mild
2	1	Plate	Zinc plated, Steel, Mild
3	1	Rubber part	Neoprene rubber
4	1	Trunion Ø14x23xØ8,5	Steel, Mild
5	1	Hex head screw M8x80	Zinc plated, ST 8.8
6	1	Hex Nut M8	Zinc plated, ST 8.8
7	1	Square nut Ø10,5mm	Zinc plated, Steel, Mild

Execution:
Reinforcement acc. to manufact. requirements
Zinc electrodeposited
Rubber strip acc. to standard (Neoprene, diesel fuel resistant)
Strap material: SM-bnadsteel of deep-drawing quality

Revision history			
Rev.	Date	Description	AUTHOR
-	03-11-2003	Drawing created	Arend
1	13-12-2013	Drawing renewed	Gy.Kardos

© 2013 MPC INDUSTRIES BV, developed and designed by MPC INDUSTRIES BV	
General Tolerances: according to: DIN 2768-vL	
SURFACE TREATMENT AND/OR PROTECTION:	
Material:	Dimensions:
Doc no.: SG0035.dwg	
Third angle projection:	Part number: SG0035
Drawn by: Gy.Kardos	Creation date: 13/12/2013
Checked by:	Checked date:
Scale 1:2	Units: mm
Status: Released	Description: MPC Industries, Spannband Clamping band, SG0035, W1
	Revision: 1
	Format: A3

MPC Industries B. V. Badweg 38 8401 BL Gorredijk Postbus 225 8400 AE Gorredijk. Tel.: . 0513 465477 Fax.: 0513 465736