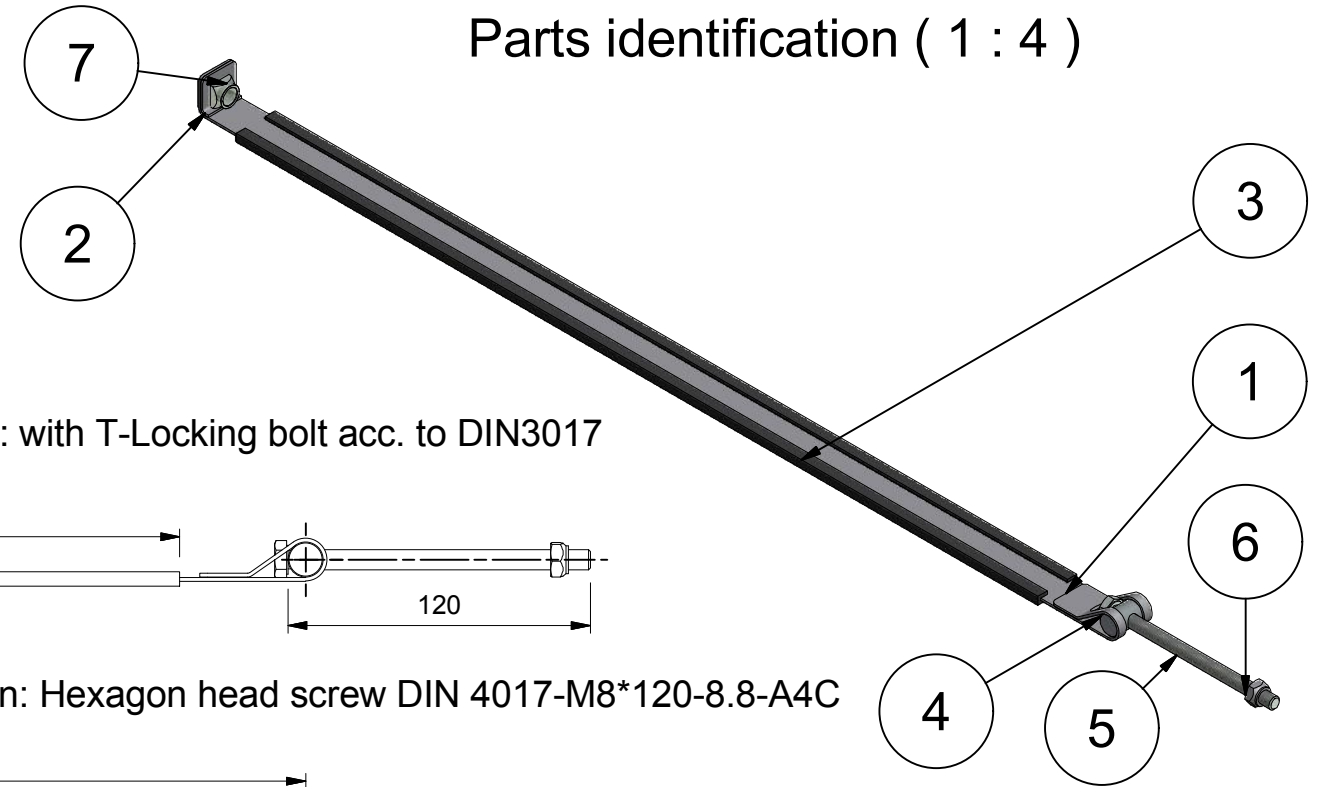
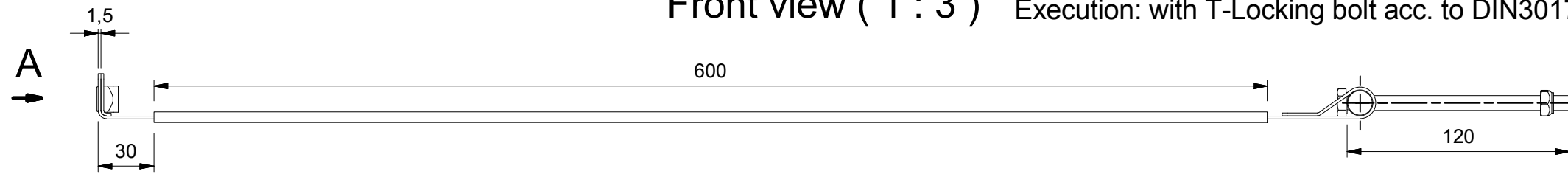


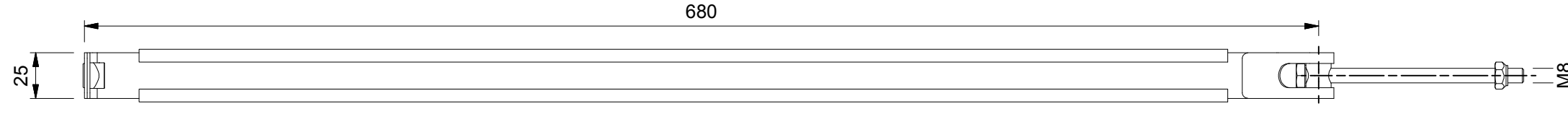
Parts identification (1 : 4)



Front view (1 : 3) Execution: with T-Locking bolt acc. to DIN3017



Bottom view (1 : 3) Execution: Hexagon head screw DIN 4017-M8*120-8.8-A4C



Execution: Safety nut DW985-M8-8-A

Item	Qty	Description	Material
1	1	Band	Zinc plated, Steel, Mild
2	1	Plate	Zinc plated, Steel, Mild
3	1	Rubber part	Neoprene rubber
4	1	Trunnion Ø14x23xØ8,5	Zinc plated, Steel, Mild
5	1	Hex head screw M8x120	Zinc plated, ST 8.8
6	1	Safety nut DW 985- M8	Zinc plated, ST 8.8
7	1	Square nut Ø10,5mm	Zinc plated, Steel, Mild

A (1 : 3)



Through hole for screw M10 acc. to the manufact. requirements

Execution:
 Reinforcement acc. to manufact. requirements
 Zinc electrodeposited
 Rubber strip acc. to standard (Neoprene, diesel fuel resistant)
 Strap material: SM-bandsteel of deep-drawing quality

Revision history		Description		AUTHOR
Rev.	Date	Description		AUTHOR
-	09-04-2009	Drawing created		M. Schaijll
1	13-12-2013	Drawing renewed		Gyula

© 2013 MPC INDUSTRIES BV, developed and designed by MPC INDUSTRIES BV	
General Tolerances: according to: DIN 2768-vL	
SURFACE TREATMENT AND OR PROTECTION:	
Material:	Dimensions:
Doc no.: SG0036-1.dwg	
Third angle projection:	Part number: SG0036-1
Drawn by: Gyula	Creation date: 13-12-2013
Checked by:	Checked date:
Scale 1:3	Units: mm
Status: Released	Description: MPC Industries, Spannband Clamping band, SG0036, W1
	Revision: 1
	Format: A3

MPC Industries B. V. Badweg 38 8401 BL Gorredijk Postbus 225 8400 AE Gorredijk. Tel.: . 0513 465477 Fax.: 0513 465736