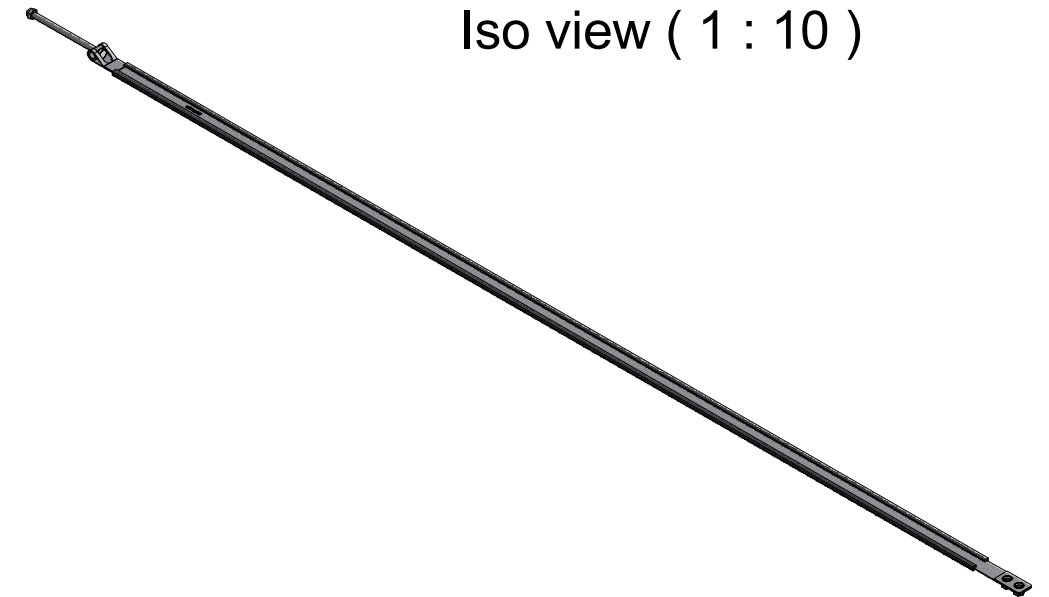
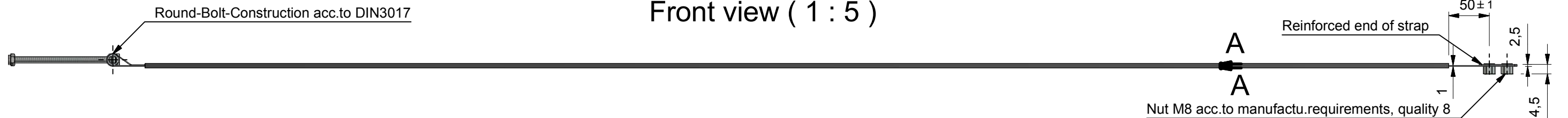


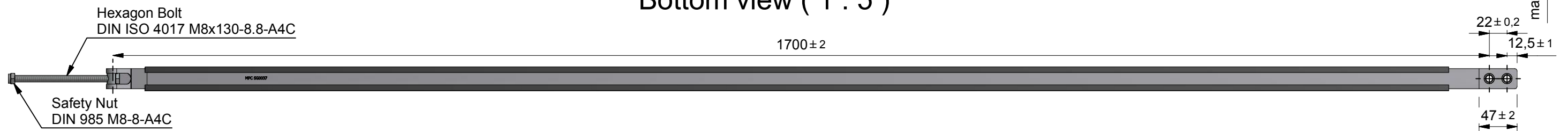
Iso view ( 1 : 10 )



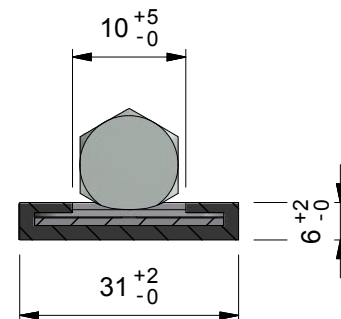
Front view ( 1 : 5 )



Bottom view ( 1 : 5 )




A-A ( 1 : 1 )



Execution:  
 Reinforcement acc. to manufact. requiemnts  
 Zinc electrodeposited  
 Rubber strip B25, **material EPDM 45 Shore!**  
 Strap material: SM-bnadsteel of deep-drawing quality

**Must be delivered on a pallet with suitable length, seperatly.  
 The best position in container is on top of other pallets in  
 back of the container.**

Revision history		Description		AUTHOR
Rev.	Date			
-	15-11-2002	Drawing created		T. Nick
1	21-04-2016	Drawing renewed		Gy.Kardos
		© 2013 MPC INDUSTRIES BV, developed and designed by MPC INDUSTRIES BV		
		General Tolerances: according to: DIN 2768-vL		
NOTICE TO PERSONS RECEIVING THIS DRAWING AND/OR TECHNICAL INFORMATION: MPC Industries BV claims proprietary rights to the material disclosed hereon. This drawing and/or technical information is issued in confidence for engineering information only and may not be reproduced or used to manufacture anything shown or referred to hereon without direct written permission from MPC Industries BV to the user. This drawing and/or technical information is the property of MPC Industries BV and is loaned for mutual assistance to be returned when its purpose has been served. THIS DRAWING AND/OR TECHNICAL INFORMATION IS THE PROPERTY OF MPC INDUSTRIES BV. DO NOT SCALE FROM DRAWING.		Material:	Dimensions:	
		Doc no.: SG0037.dwg	Part number:	
		Third angle projection:	<b>SG0037</b>	
Drawn by: Gy.Kardos	Creation date: 21/04/2016	Description:		Revision:
Checked by:	Checked date:	MPC Industries, Spannband		<b>1</b>
Scale 1:5	Units: mm	Clamping band, SG0037, W1		Format:
Status: Released				<b>A3</b>
MPC Industries B. V. Badweg 38 8401 BL Gorredijk Postbus 225 8400 AE Gorredijk. Tel.: . 0513 465477 Fax.: 0513 465736				