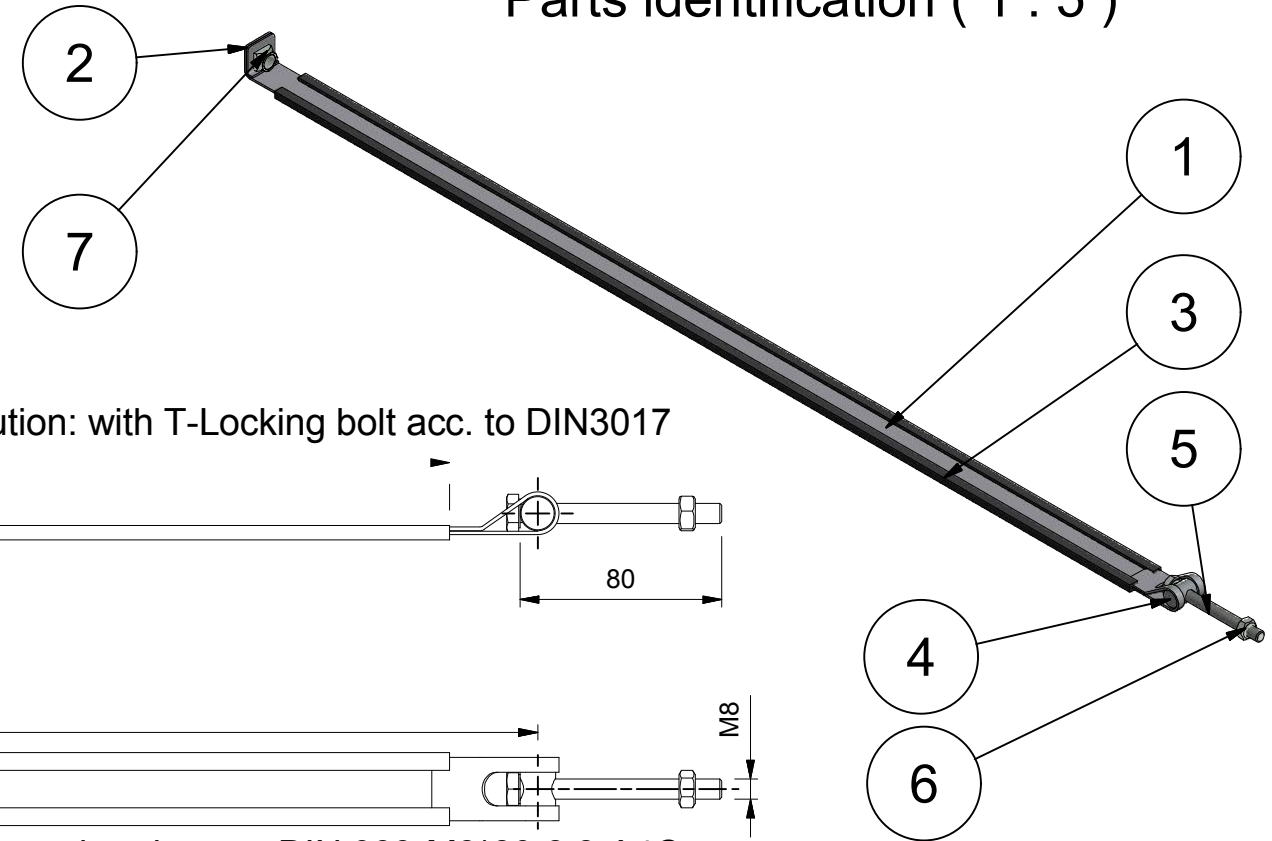
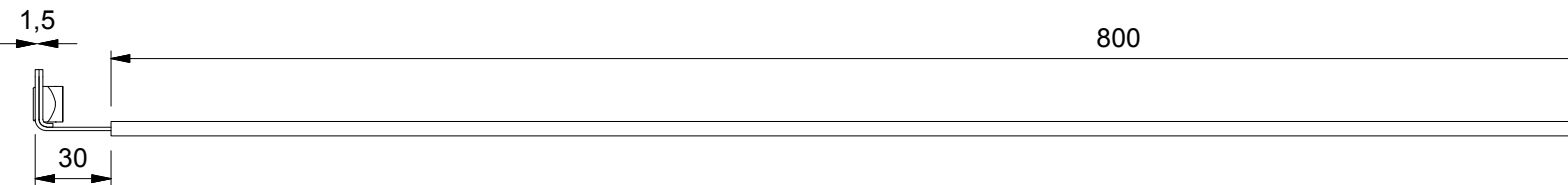


Parts identification (1 : 5)

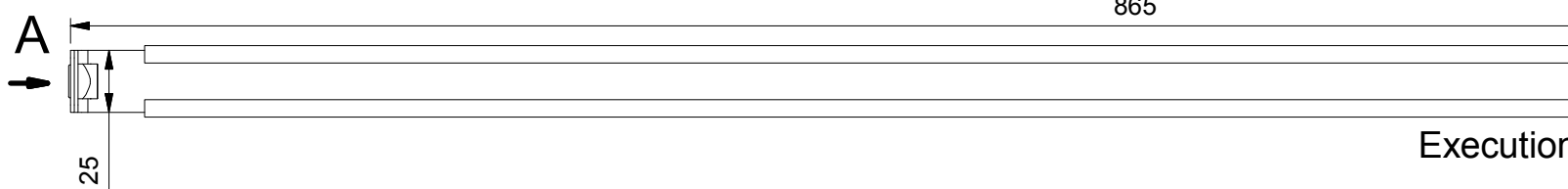


Front view (1 : 3)



Execution: with T-Locking bolt acc. to DIN3017

Bottom view (1 : 3)



Execution: Hexagon head screw DIN 933-M8*80-8.8-A4C

Item	Qty	Description	Material
1	1	Band	Zinc plated, Steel, Mild
2	1	Plate	Zinc plated, Steel, Mild
3	1	Rubber part	EPDM Rubber Shore hardness 65°±5°
4	1	Trunnion Ø14x23xØ8,5	Zinc plated, Steel, Mild
5	1	Hex head screw M8x80	Zinc plated, ST 8.8
6	1	Hex Nut M8	Zinc plated, St 8.8
7	1	Square nut Ø10,5mm	Zinc plated, Steel, Mild

A (1 : 3)



Through hole for screw M10
acc. to the manufact. requirements

Execution:
Reinforcement acc. to manufact. requiemnts
Zinc electrodeposited
Rubber strip acc. to standard (Neoprene, diesel fuel resistant)
Strap material: SM-bnadsteel of deep-drawing quality

Revision history			
Rev.	Date	Description	AUTHOR
-	25-8-2008	Drawing created	A.Dykhnich
1	28-3-2014	Inventor drawing created	Gyula

© 2013 MPC INDUSTRIES BV, developed and designed by MPC INDUSTRIES BV

General Tolerances: according to: DIN 2768-vL

SURFACE TREATMENT AND OR PROTECTION:

Material: _____ Dimensions: _____

Doc no.: SG0040.dwg

Third angle projection:

Part number: **SG0040**

NOTICE TO PERSONS RECEIVING THIS DRAWING AND/OR TECHNICAL INFORMATION:
MPC Industries BV claims proprietary rights to the material disclosed hereon. This drawing and/or technical information is issued in confidence for engineering information only and may not be reproduced or used to manufacture anything shown or referred to hereon without direct written permission from MPC Industries BV to the user. This drawing and/or technical information is the property of MPC Industries BV and is loaned for mutual assistance to be returned when its purpose has been served.
THIS DRAWING AND/OR TECHNICAL INFORMATION IS THE PROPERTY OF MPC INDUSTRIES BV
DO NOT SCALE FROM DRAWING.

Drawn by: Gyula	Creation date: 28-3-2014	Description: MPC Industries, Spannband Clamping band, SG0040, W1	Revision: 1 Format: A3
Checked by:	Checked date:		
Scale 1:3	Units: mm		
Status: Released			

MPC Industries B. V. Badweg 38 8401 BL Gorredijk Postbus 225 8400 AE Gorredijk. Tel.: . 0513 465477 Fax.: 0513 465736