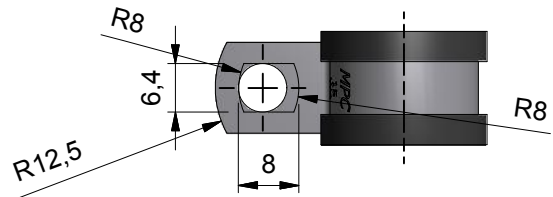
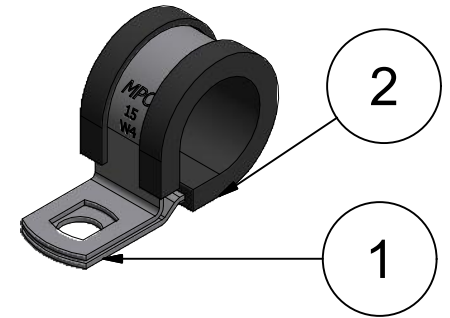


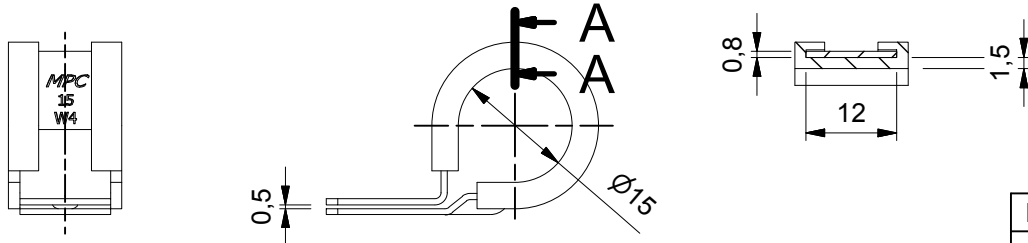
Top view (1 : 1)



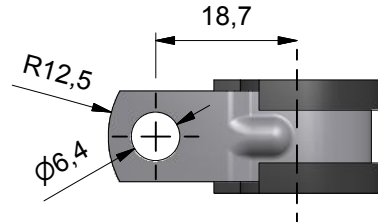
Parts identification (1 : 1)



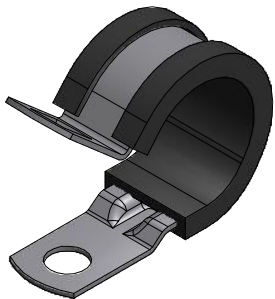
Side view (1 : 1) Front view (1 : 1) A-A (1 : 1)



Bottom view (1 : 1)



Deliverystatus (1 : 1)



Item	Qty	Description	Material
1	1	Clamp band 12x0,8mm. aisi 304	Aisi 304
2	1	Rubber profile 12x1,5mm., Shore A 55° ±5°	EPDM

Revision history		
Rev.	Date	Description
1	31-3-2014	Drawing renewed
		AUTHOR Gyula
Material:		Dimensions: -
Doc no.: SLKD41512.dwg		
Third angle projection:		Part number:
		SLKD41512
Drawn by: Martin	Creation date: 15-3-2011	Description: MPC Single lip fixing clip Ø15mm. band 12x0.8 Aisi 304 with rubber liner
Checked by:	Checked date:	
Scale 1:1	Units: mm	Revision: 1
Status: Released		Format: A4
MPC Industries B. V. Badweg 38 8401 BL Gorredijk Postbus 225 8400 AE Gorredijk. Tel.: . 0513 465477 Fax.: 0513 465736		

NOTICE TO PERSONS RECEIVING THIS DRAWING AND/OR TECHNICAL INFORMATION:
MPC Industries BV claims proprietary rights to the material disclosed hereon. This drawing and/or technical information is issued in confidence for engineering information only and may not be reproduced or used to manufacture anything shown or referred to hereon without direct written permission from MPC Industries BV to the user. This drawing and/or technical information is the property of MPC Industries BV and is loaned for mutual assistance to be returned when its purpose has been served.
THIS DRAWING AND/OR TECHNICAL INFORMATION IS THE PROPERTY OF MPC INDUSTRIES BV