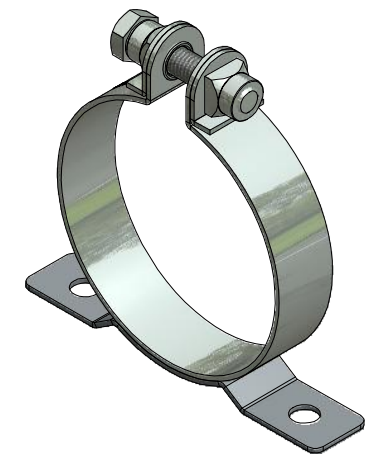
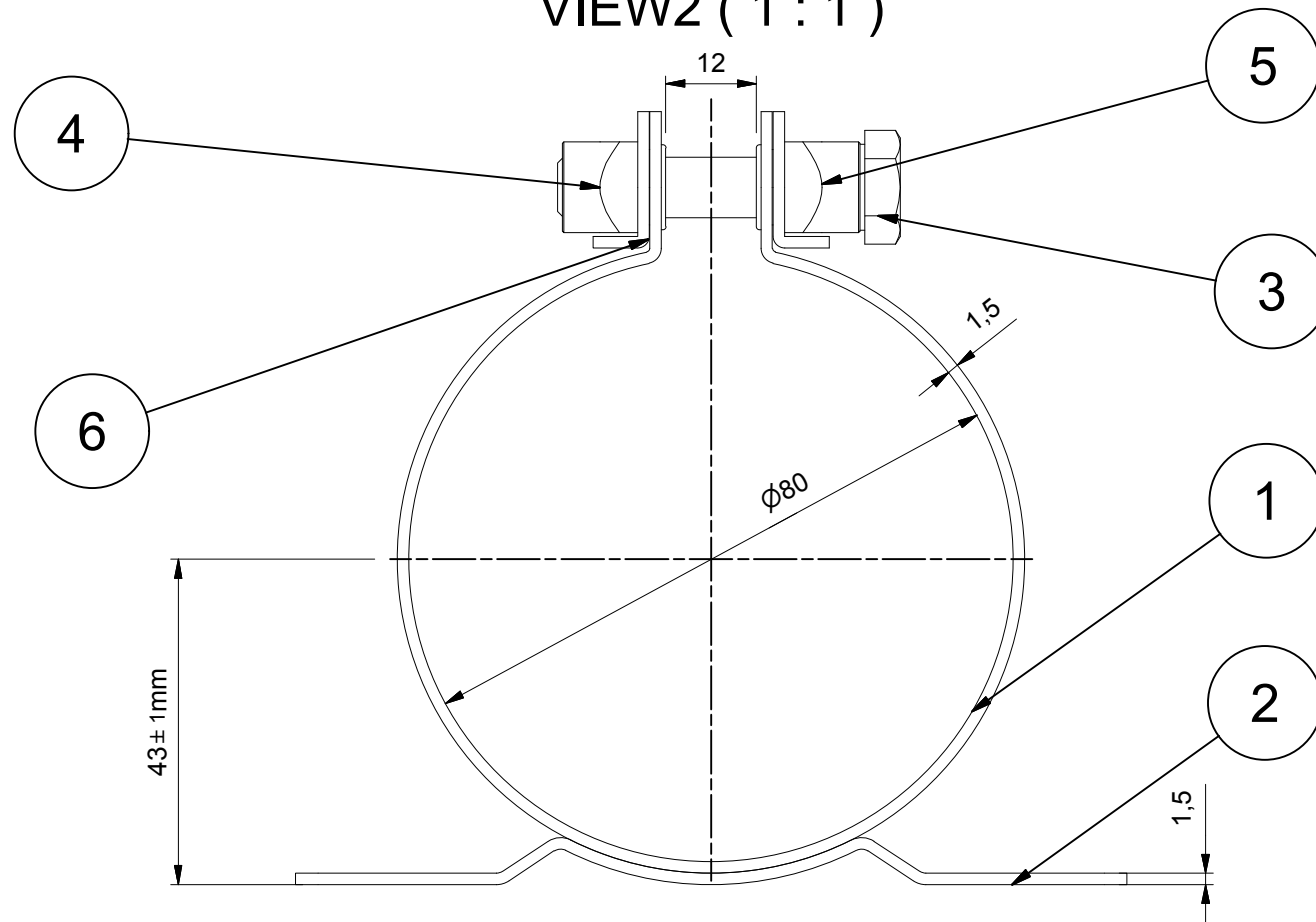


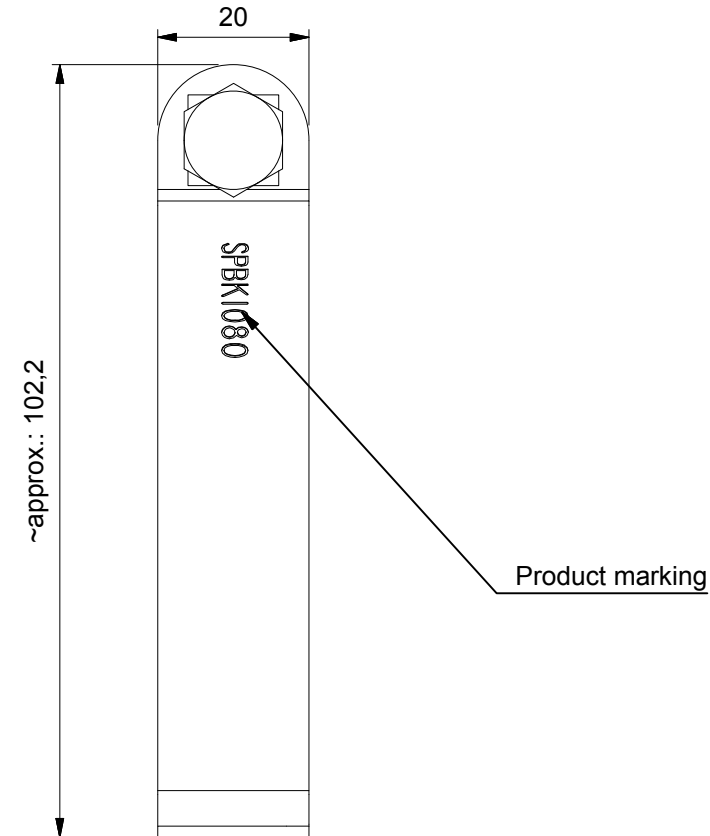
VIEW1 (1 : 2)



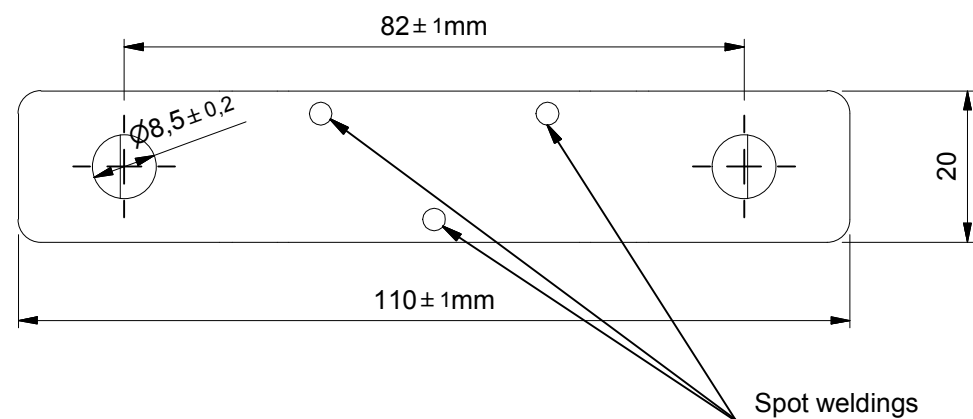
VIEW2 (1 : 1)



VIEW3 (1 : 1)




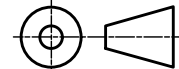
VIEW4 (1 : 1)



Item	Qty	Description	Material
1	1	Band	Zinc plated Steel, Mild
2	1	Console	Zinc plated Steel, Mild
3	1	Hex head screw M8x40	Zinc plated ST 8.8
4	1	Square nut M8	Zinc plated Steel, Mild
5	1	Square nut Ø8,5mm	Zinc plated Steel, Mild
6	2	Reinforcement plate	Zinc plated Steel, Mild

NOTICE TO PERSONS RECEIVING THIS DRAWING AND/OR TECHNICAL INFORMATION:
MPC Industries BV claims proprietary rights to the material disclosed hereon. This drawing and/or technical information is issued in confidence for engineering information only and may not be reproduced or used to manufacture anything shown or referred to hereon without direct written permission from MPC Industries BV to the user. This drawing and/or technical information is the property of MPC Industries BV and is loaned for mutual assistance to be returned when its purpose has been served.
THIS DRAWING AND/OR TECHNICAL INFORMATION IS THE PROPERTY OF MPC INDUSTRIES BV

Product mark:
SPBK1080

		Material:	Dimensions: -	
		Doc no.: SPBK1080.dwg	Part number: SPBK1080	
		Description: MPC Industries, SPBK1080, 80mm, W1		Revision:
Drawn by: gyula	Creation date: 10-Jul-13	Format: A3		
Checked by:	Checked date:	MPC Industries B. V. Badweg 38 8401 BL Gorredijk Postbus 225 8400 AE Gorredijk. Tel.: . 0513 465477 Fax.: 0513 465736		
Scale 1:1	Units: mm			
Status: Released				